



HIGH ESP DUCT

Energy Saving

Super High Airflow

New DC fan motor and large length & diameter fan design, provide the 2880 m³/h (800l/s) above air flow with 250m³/h/kW (70L/s/kW), which is 44% more than medium pressure duct unit.

Capacity	Medium pressure duct airflow(m ³ /h)	High pressure duct airflow(m ³ /h)	Promotion
10.0kW	2000	2880	44%
12.5kW	2250	3250	44%
14.0kW	2500	3600	44%

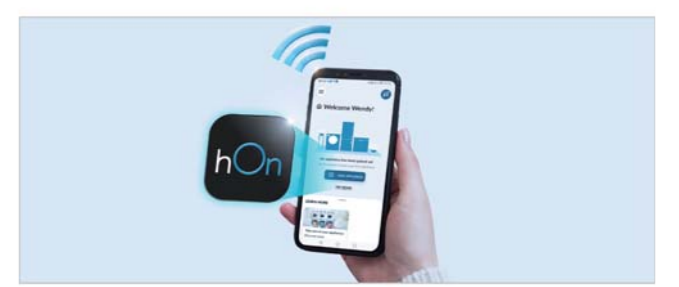
High Efficiency Design

We use DC fan motor and wide fin more rows heat exchanger, which can provide EER >3.4 for all highpressure duct combinations.

Smart

WiFi

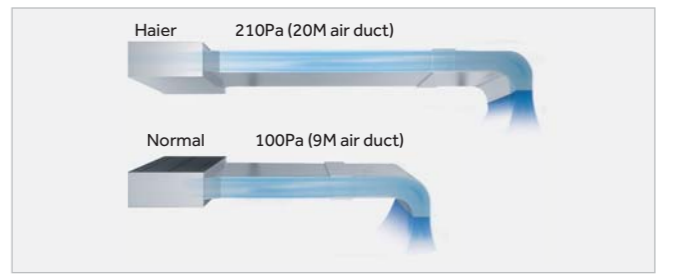
Besides normal wired/infrared control, Haier supplies Smart Control from hOn APP, including the on/off, operation mode selection, fan speed temperature, and air flow adjustment, schedule, UV function and steri-clean 56°C, etc.



Convenient

210Pa Pressure Setting

210Pa pressure give the design flexibility totally, it can meet difficulty duct requirement.



Compact Indoor Unit

The premium ducted split system has a small chassis. This small split type of indoor unit helps make it easy to install in narrow and small spaces*.



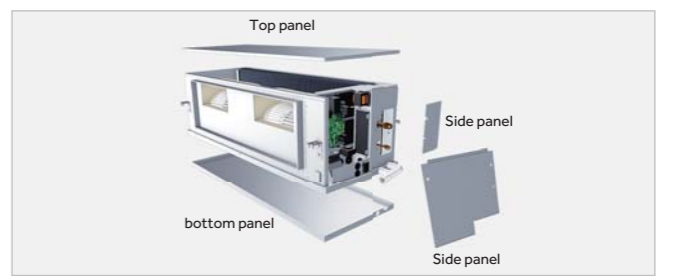
10 Step Adjusted Pressure

Pressure can be adjusted by wired controller YR-E16B / YR-E17A, installer don't need to install the static box, save installation time.



Three Side Open the Panel

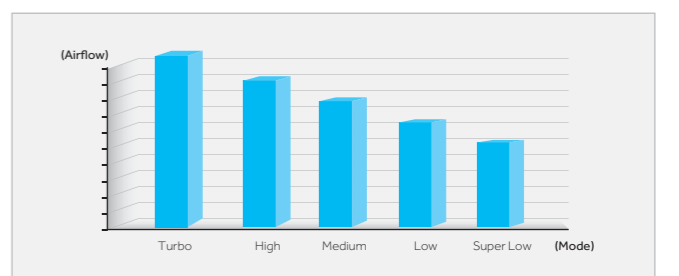
There are three side panel which can be opened for easy maintenance: Top panel and bottom panel can be opened to maintain the fan and motor; Electrical panel can be opened to maintain the electrical parts; Side panel can be opened to maintain the pipe sensor.



Multi Air Speed for Comfort

There are 4 speed airflow: super low/low/medium/high to choose for comfort.

There are also turbo mode with super high speed for quick cooling/heating.



High ESP Duct



14.0kW



MODEL			Indoor unit	ADH125H1ERG	ADH125H1ERG	ADH140H1ERG	ADH140H1ERG	ADH140H1ERG	ADH140H1ERG
			Outdoor unit	1U125S2SN2FA	1U125S2SN2FB	1U140S2SN1FA	1U140S2SN1FB	1U140S2SP2FA	1U140S2SP2FB
Nominal performance data	Capacity	Cooling	Btu/h (nor)	41980	42320	45700	45700	46410	46410
			kW nor(min-max)	12.3(3.0-13.0)	12.3	13.4(3.5-14.0)	13.4(3.5-14.0)	13.6(4.0-15.0)	13.6(4.0-15.0)
	Heating		Btu/h (nor)	43340	43680	51200	51200	51200	51200
			kW nor(min-max)	12.7(3.5-13.5)	12.8(3.5-13.5)	15.0(4.0-15.5)	15.0(4.0-15.5)	15.0(4.5-16.0)	15.0(4.5-16.0)
Rated power input	Cooling	kW nom(min-max)	4.47(1.0-6.0)	4.56(1.0-6.0)	4.75(1.0-6.5)	4.59(1.0-6.5)	4.24(1.0-6.0)	4.22(1.0-6.0)	
	Heating	kW nom(min-max)	3.74(1.0-6.0)	3.73(1.0-6.0)	4.53(1.0-6.5)	4.37(1.0-6.5)	4.04(1.0-6.0)	4.02(1.0-6.0)	
Seasonal performance data	EER/COP			2.75/3.4	2.72/3.43	2.82/3.31	2.92/3.43	3.21/3.71	3.22/3.73
	Cooling P design(35°C)	kW		12.3	12.4	13.4	13.4	13.6	13.6
	Heating P design(-10°C)	kW		8	8	8.5	8.5	10	10
	SEER/SCOP			5.8/3.94	5.9/3.97	5.84/3.94	5.98/3.97	6.16/4.07	6.18/4.1
	Energy class(Cooling/Heating)			A+/A	A+/A	A+/A	A+/A	A++/A+	A++/A+
	Annual energy consumption(Cooling)		kW		713/745	700	803	785	761
Annual energy consumption(Heating)		kW		3022	2998	3022	2998	3786	3754
INDOOR UNIT									
Electrical Parameters	Power supply	Ph/V/Hz		1/220-240/50/60	1/220-240/50/60	1/220-240/50/60	1/220-240/50/60	1/220-240/50/60	1/220-240/50/60
	Air flow(H/M/L)	m³/h		3250/2750/2250	3250/2750/2250	3600/3100/2600	3600/3100/2600	3600/3100/2600	3600/3100/2600
Performance	External static pressure	Pa		37/50(default)/70/90/110/130/150/170/190/210	37/50(default)/70/90/110/130/150/170/190/210	37/50(default)/70/90/110/130/150/170/190/210	37/50(default)/70/90/110/130/150/170/190/210	37/50(default)/70/90/110/130/150/170/190/210	37/50(default)/70/90/110/130/150/170/190/210
	Sound power level(H/M/L)	dB(A)		64	64	65	65	65	65
	Sound pressure level(H/M/L)	dB(A)		47/44/42	47/44/42	49/46/43/40	49/46/43/40	49/46/43/40	49/46/43/40
Installation	External dimensions(W/D/H)	mm		1350/490/425	1350/490/425	1350/490/425	1350/490/425	1350/490/425	1350/490/425
	Shipping dimensions(W/D/H)	mm		1565/724/510	1565/724/510	1565/724/510	1565/724/510	1565/724/510	1565/724/510
	Net/Shipping weight	kg		61/72	61/72	61/72	61/72	61/72	61/72
	Controller	optional		YR-E17A YR-HQS01	YR-E17A YR-HQS01	YR-E17A YR-HQS01	YR-E17A YR-HQS01	YR-E17A YR-HQS01	YR-E17A YR-HQS01
OUTDOOR UNIT									
Electrical Parameters	Power supply	Ph/V/Hz		1/220-240/50/60	3/380-415/50/60	1/220-240/50/60	3/380-415/50/60	1/220-240/50/60	3/380-415/50/60
Performance	Air flow (H)	m³/h		4200	4200	4200	4200	7000	7400
	Sound power level	dB(A)		72	72	72	72	70	70
	Sound pressure level	dB(A)		58	58	58	58	53	53
Installation	External dimensions(W/D/H)	mm		950/370/965	950/370/965	950/370/965	950/370/965	950/370/1350	950/370/1350
	Shipping dimensions(W/D/H)	mm		1050/485/1130	1050/485/1130	1050/485/1130	1050/485/1130	1050/485/1500	1050/485/1500
	Net/Shipping weight	kg		84/89	85/90	84/89	85/90	105/118	101/116
	Compressor type			Twin rotary	Twin rotary	Twin rotary	Twin rotary	Twin rotary	Twin rotary
	Refrigerant type			R32	R32	R32	R32	R32	R32
	GWP			675	675	675	675	675	675
	Refrigerant liquid pipe	mm		9.52	9.52	9.52	9.52	9.52	9.52
	Refrigerant gas pipe	mm		15.88	15.88	15.88	15.88	15.88	15.88
	Max pipe length	m		50	50	50	50	70	70
	Max drop between I.U.&O.U	m		30	30	30	30	30	30
Working temp.	Refrigerant load in factory	kg		2.3	2.3	2.3	2.3	2.9	3.5
	Maximum pipe length without charge refrigerant	m		30	30	30	30	30	30
	Refrigerant charge quantity for extra length	g/m		45	45	45	45	45	45
	Cooling(Min-Max)	°C		-10-46	-10-46	-10-46	-10-46	-10-46	-10-46
	Heating(Min-Max)	°C		-15-24	-15-24	-15-24	-15-24	-15-24	-15-24

* Data is pending;

0-300Pa
ESP up to 300Pa



Airzone control

ESP grade
1-10 grade
10 step ESP control

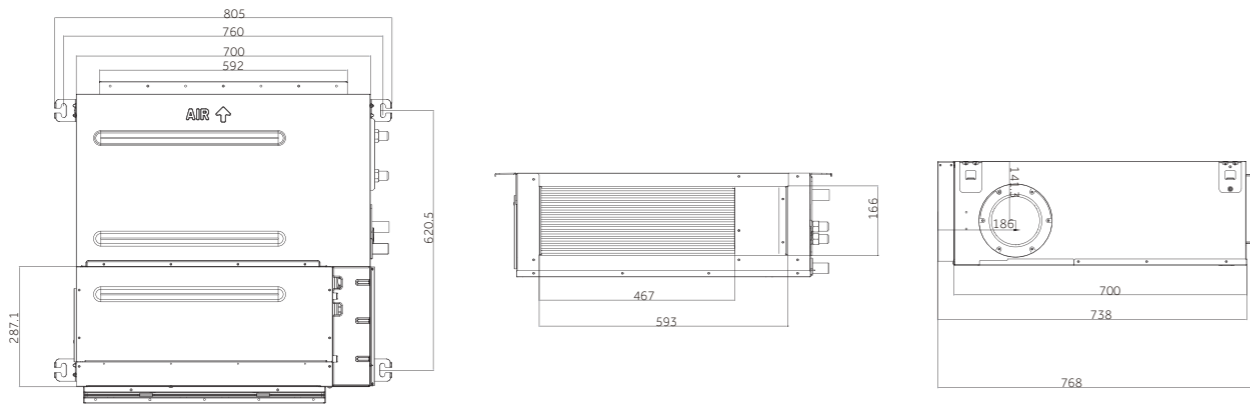


Separable into two parts for easy handling

Indoor Platform

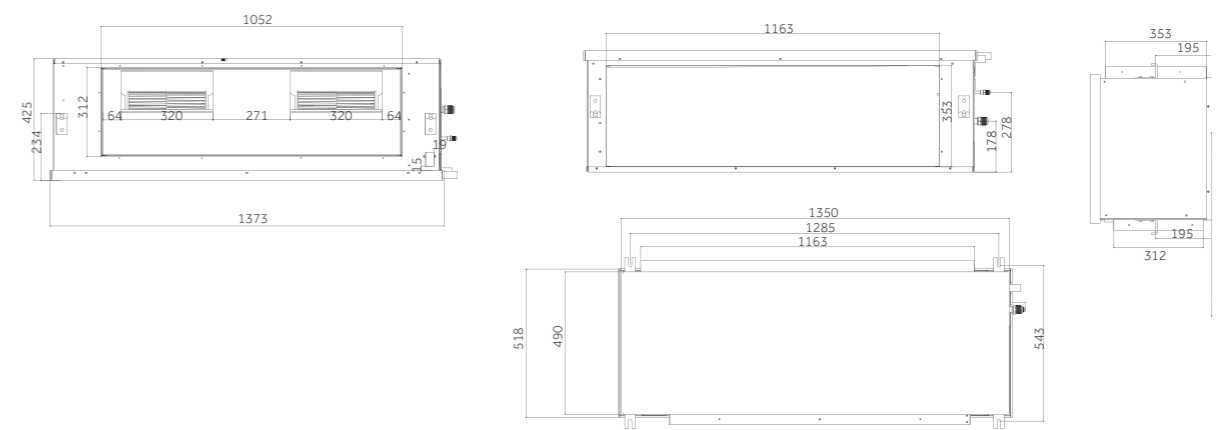
Medium ESP Duct Type

AD35S2SM3FA



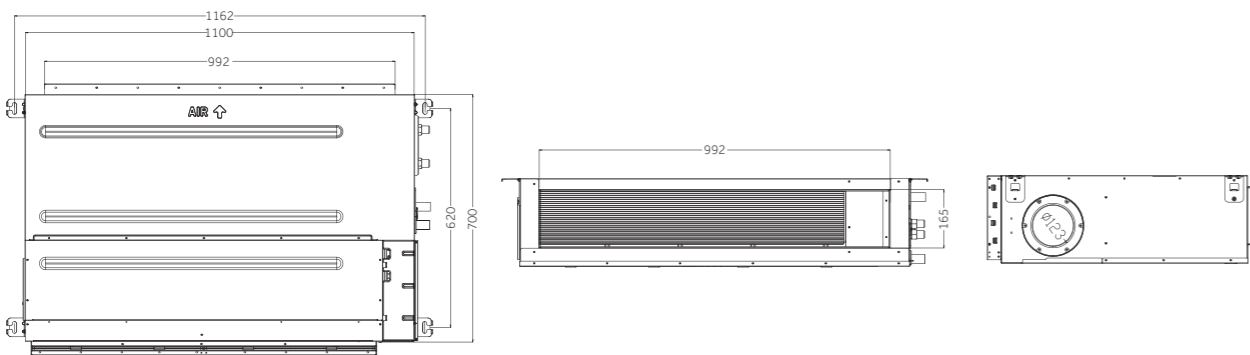
High ESP Duct Type

ADH105H1ERG/ADH125H1ERG/ADH140H1ERG/ADH160H1ERG



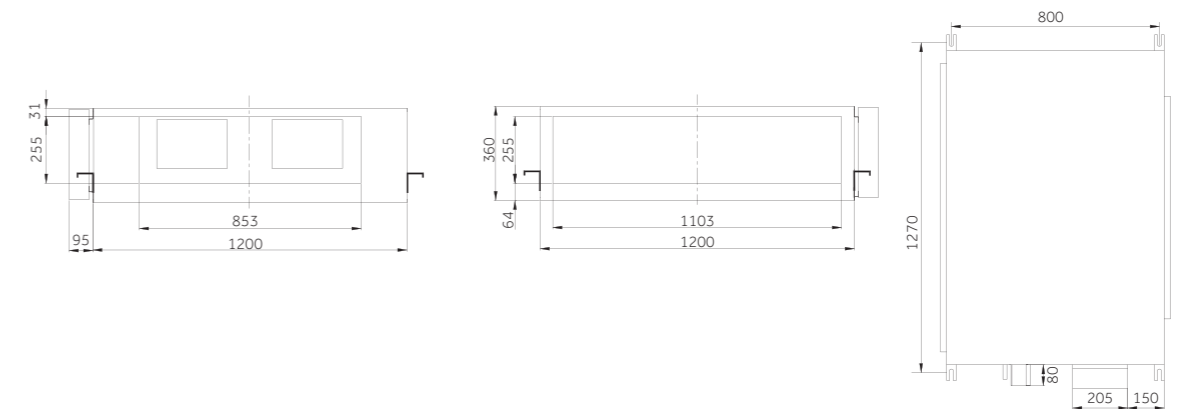
Medium ESP Duct Type

AD50S2SM3FA/AD71S2SM3FA/AD71S2SM6FA/AD90S2SM3FA/AD100S2SM6FA



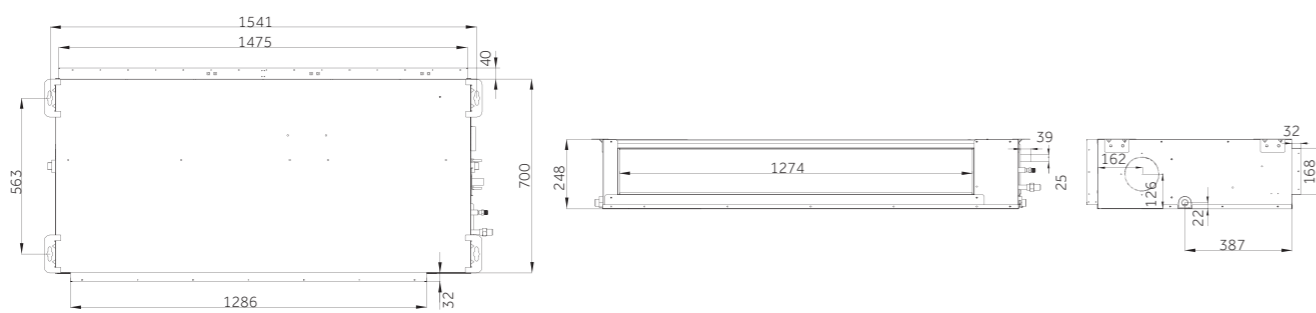
High ESP Duct Type

AD48HS1ERA(S)/AD60HS1ERA(S)



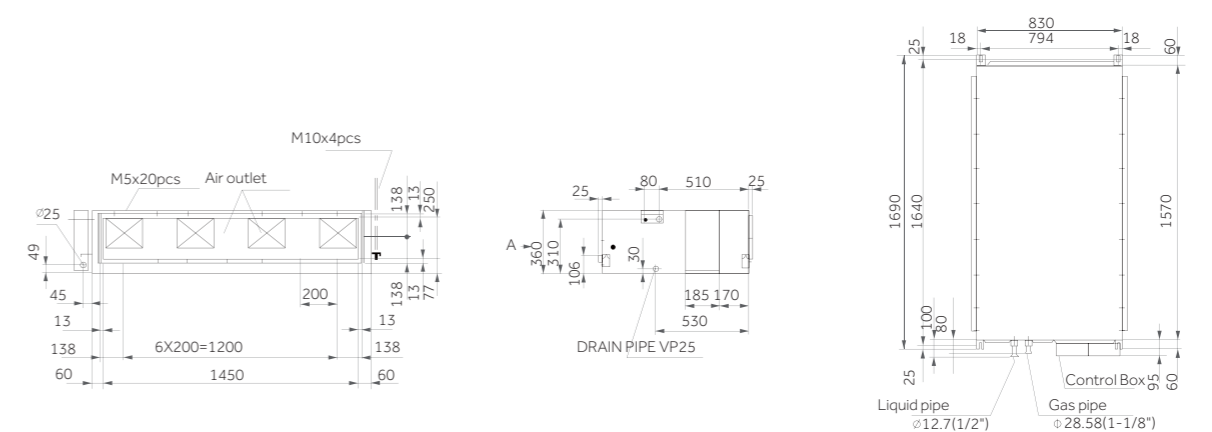
Medium ESP Duct Type

AD105S2SM3FA/AD125S2SM3FA/AD140S2SM3FA



High ESP Duct Type

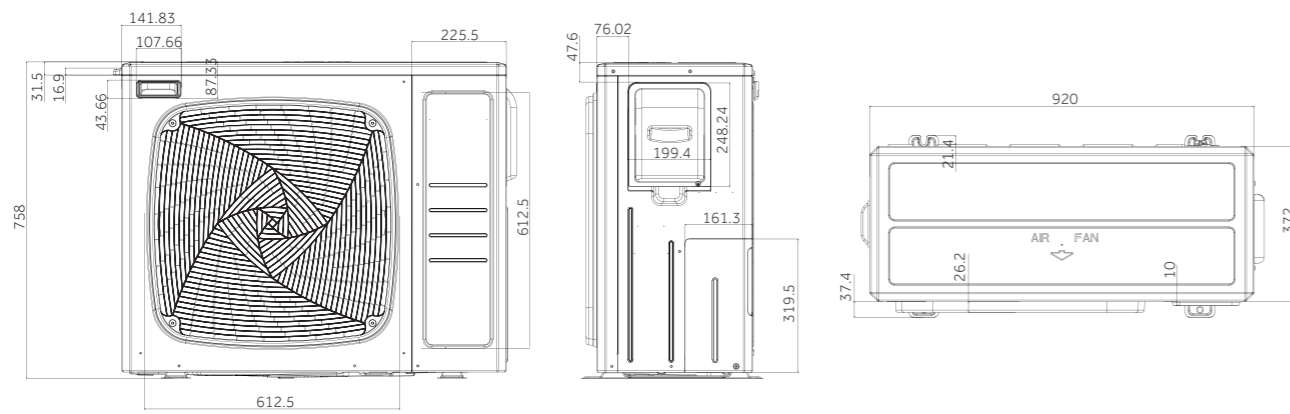
AD842AHEAA



Outdoor Platform(R32)

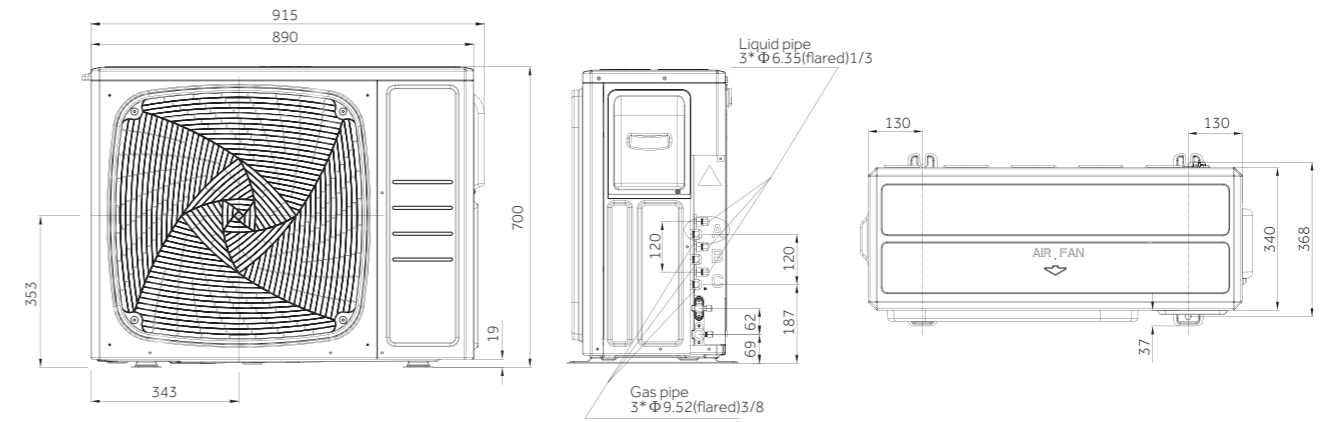
Single Split

1U105S2SS1FA/1U105S2SS1FB



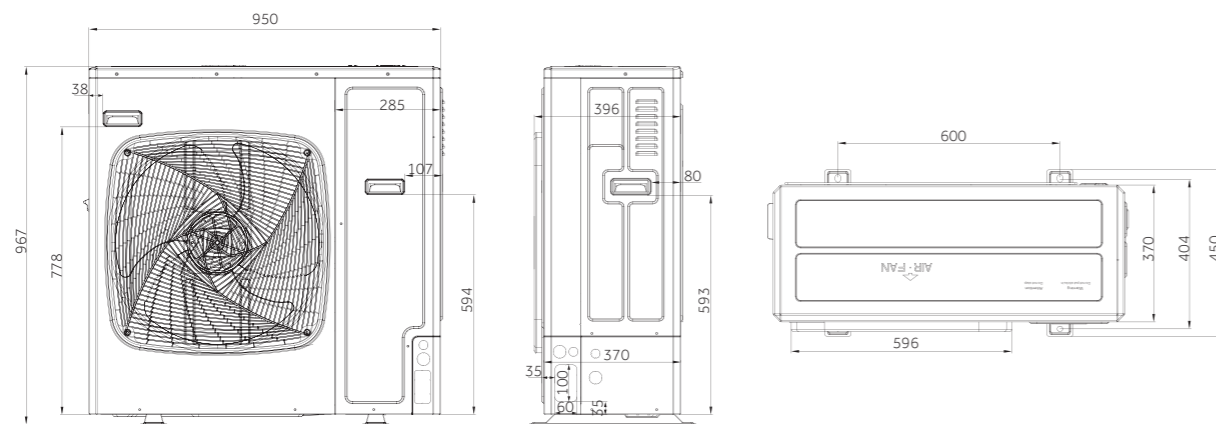
Multi Split

3U55S2SR3FA/3U70S2SR3FA



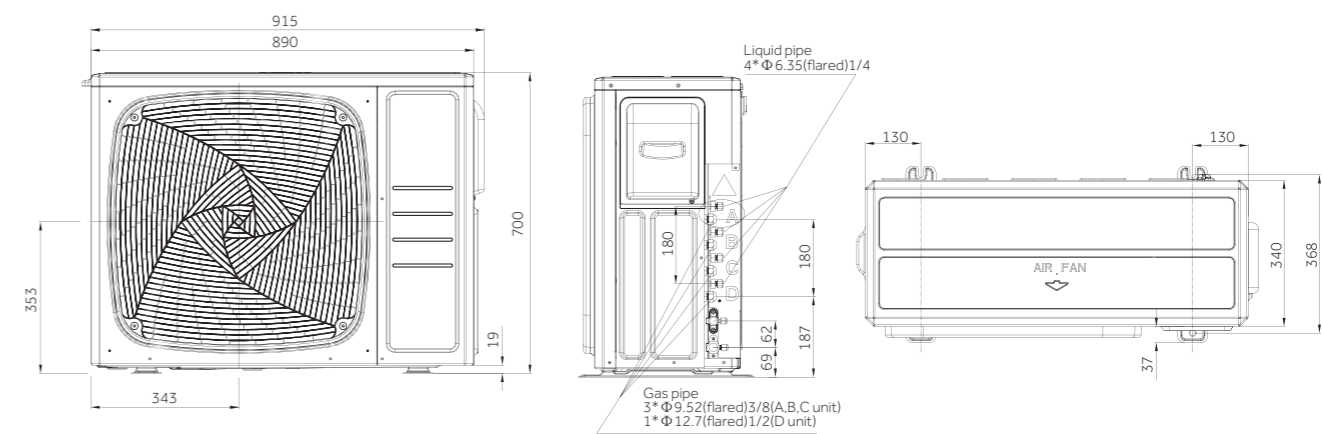
Single Split

1U125S2SN2FA/1U125S2SN2FB/1U140S2SN1FA/1U140S2SN1FB



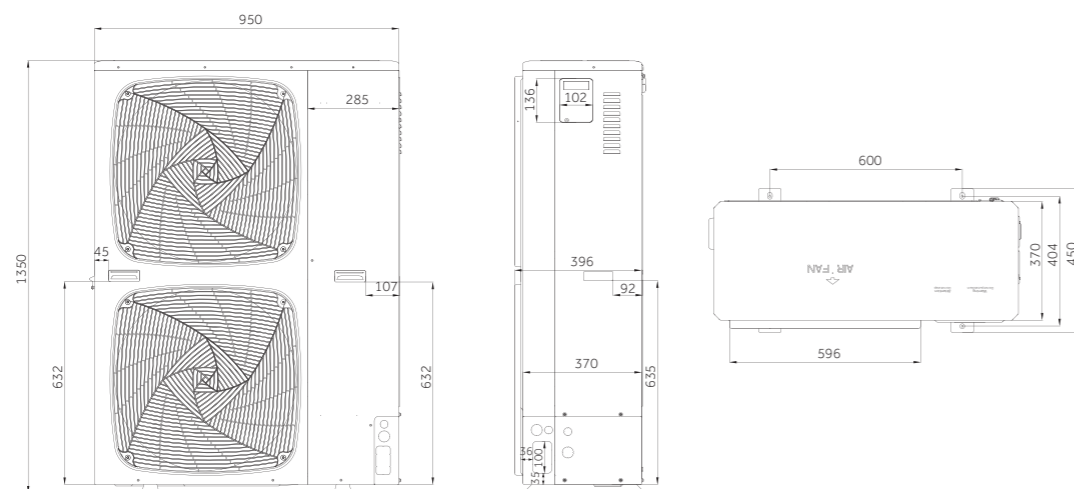
Multi Split

4U75S2SR3FA/4U85S2SR3FA



Single Split

1U140S2SP2FA/1U140S2SP2FB/1U160S2SP1FB



Multi Split

5U90S2SS3FA/5U105S2SS3FA

