



MEDIUM ESP DUCT

Healthy

Antibacterial Filter

Silver (Ag) is a natural antibacterial material, which has good broad-spectrum antibacterial properties and could motivate bacterial extinction.

Haier antibacterial filter has added silver ions and antibacterial organics to kill Escherichia coli & Staphylococcus aureus effectively, with long lasting effects.



Healthy

UVC Sterilization

The built-in LED UV lights kill airborne hazards when the air circulates from air inlet, ensuring the clean air out.

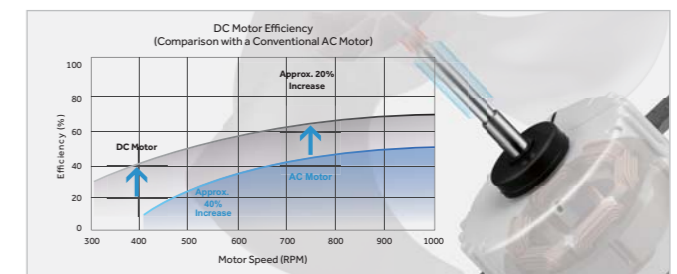
*AD35S2SM3FA(H)/AD50S2SM3FA(H)/AD71S2SM3FA(H)/AD105S2SM3FA(H)



Energy Saving

DC Fan Motor

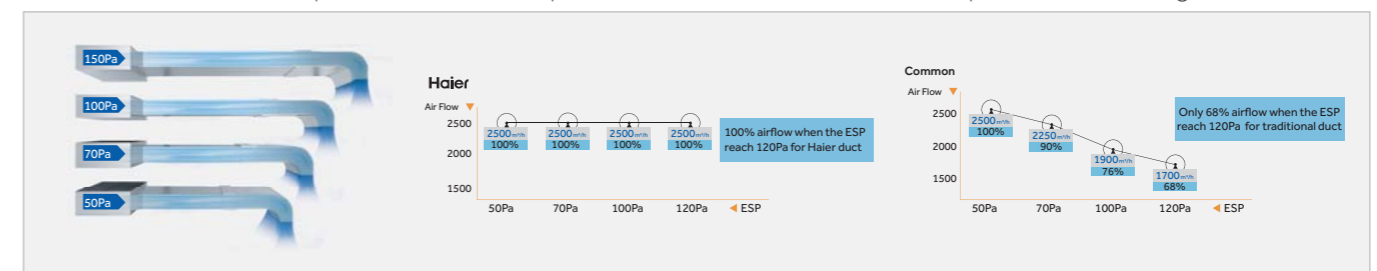
Haier duct adopts DC fan motor, compared to conventional AC fan motor, DC fan motor is more efficiency.



Comfortable

Consistent Airflow

The indoor units contain up to 3 fans which can provide consistent airflow in different pressure enhancing the comfort.



Smart

WiFi

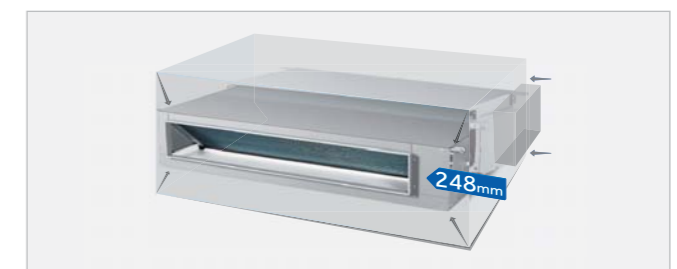
Besides normal wired/infrared control, Haier supplies Smart Control from hOn APP, including the on/off, operation mode selection, fan speed temperature, and air flow adjustment, schedule, UV function and steri-clean 56°C, etc.



Convenient

Super Slim

248mm of thickness for better installation application flexibility (for 7.1kW-16kW).



Convenient

High Lift-up Drain Pump

It can lift condensed water up to 600mm, which make installation more flexible according to the layout.



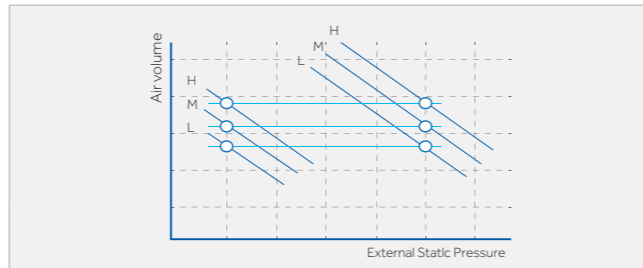
Return Air Choices

Friendly design: Rear air return or bottom air return is available.



Adjusted Pressure by Wired Controller

We takes DC fan motor design, external static pressure can be adjusted by wired controller, so installer don't need to climb the ladders to adjust pressure.



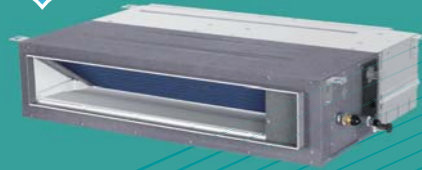
Wiring Optimization

∠ 45° angle humanized design

Just use screw driver to take down two screws with tilting angle, installer will have best experience in wiring work.



Medium ESP Duct (DC)



3.5 / 5.0 / 7.1 kW



248mm slim design



Airzone control



10 steps pressure adjusted to suit different ductwork length



Built-in high head drain pump maxi. 1000mm

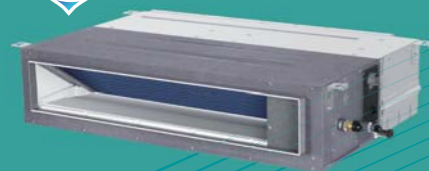


MODEL	Standard Indoor unit(drain pump included)			AD35S2SM3FA	AD35S2SM3FA(H)	AD50S2SM3FA	AD50S2SM3FA(H)	AD71S2SM3FA	AD71S2SM3FA(H)
	Outdoor unit			1U35S2SM1FA-2	1U35S2SM1FA-2	1U50S2S J2FA	1U50S2S J2FA	1U71S2SR2FA	1U71S2SR2FA
Nominal performance data	Capacity	Cooling	Btu/h (nominal)	12000	12000	17000	17000	24200	24200
			kW nominal(min-max)	3.50(0.9-4.5)	3.50(0.9-4.5)	5.0(1.8-6)	5.0(1.8-6)	7.1(2.0-8.2)	7.1(2.0-8.2)
	Heating		Btu/h (nominal)	13700	13700	18800	18800	27300	27300
			kW nominal(min-max)	4.00(1-4.8)	4.00(1-4.8)	6.0(2-6.2)	6.0(2-6.2)	7.5(2.5-8.5)	7.5(2.5-8.5)
Rated power input	Cooling	kW nom(min-max)	1.08(0.28-1.8)	1.08(0.28-1.8)	1.55(0.55-2.0)	1.55(0.55-2.0)	2.20(0.5-3.0)	2.20(0.5-3.0)	
	Heating	kW nom(min-max)	1.08(0.28-1.8)	1.08(0.28-1.8)	1.62(0.6-2.0)	1.62(0.6-2.0)	2.02(0.6-3.0)	2.02(0.6-3.0)	
Seasonal performance data	EER/COP			3.23/3.71	3.23/3.71	3.23/3.71	3.23/3.71	3.23/3.71	3.23/3.71
	Cooling P design(35°C)	kW		3.5	3.5	5	5	7.1	7.1
	Heating P design(-10°C)	kW		2.7	2.7	4.5	4.5	5	5
	SEER/SCOP			6.1/3.8	6.1/3.8	6.1/3.8	6.1/3.8	6.1/3.8	6.1/3.8
	Energy class(Cooling/Heating)			A++/A	A++/A	A++/A	A++/A	A++/A	A++/A
	Annual energy consumption(Cooling)		kW		215	215	291	291	406
Annual energy consumption(Heating)		kW		1020	1020	1782	1782	1827	1827
INDOOR UNIT									
Electrical Parameters	Power supply	Ph/V/Hz		1/220-240/50/60	1/220-240/50/60	1/220-240/50/60	1/220-240/50/60	1/220-240/50/60	1/220-240/50/60
	Air flow(H/M/L)	m³/h		840/720/600	840/720/600	1020/900/780	1020/900/780	1440/1260/1100	1440/1260/1100
Performance	External static pressure	Pa		25(default)/37/50/70/90/100/110/120/130/150	25(default)/37/50/70/90/100/110/120/130/150	25(default)/37/50/70/90/100/110/120/130/150	25(default)/37/50/70/90/100/110/120/130/150	25(default)/37/50/70/90/100/110/120/130/150	25(default)/37/50/70/90/100/110/120/130/150
	Sound power level(H/M/L)	dB(A)		55	55	56	56	58	58
	Sound pressure level(H/M/L)	dB(A)		41/35/28	41/35/28	43/37/30	43/37/30	44/41/39	44/41/39
Installation	External dimensions(W/D/H)	mm		700/700/248	700/700/248	1100/700/248	1100/700/248	1100/700/248	1100/700/248
	Shipping dimensions(W/D/H)	mm		914/866/318	914/866/318	1316/866/318	1316/866/318	1316/866/318	1316/866/318
	Net/Shipping weight	kg		26/30	26/30	31/35	31/35	31/35	31/35
	Controller	optional		YR-E17A	YR-E17A	YR-E17A	YR-E17A	YR-E17A	YR-E17A
OUTDOOR UNIT									
Electrical Parameters	Power supply	Ph/V/Hz		1/220-240/50	1/220-240/50	1/230/50	1/230/50	1/220-240/50/60	1/220-240/50/60
Performance	Air flow (H)	m³/h		2000	2000	2500	2500	3000	3000
	Sound power level	dB(A)		61	61	63	63	67	67
	Sound pressure level	dB(A)		48	48	51	51	54	54
Installation	External dimensions(W/D/H)	mm		800/275/553	800/275/553	820/338/614	820/338/614	890/353/697	890/353/697
	Shipping dimensions(W/D/H)	mm		908/405/625	908/405/625	993/413/685	993/413/685	1046/460/780	1046/460/780
	Net/Shipping weight	kg		30/32.9	30/32.9	37.8/41.5	37.8/41.5	45/50	45/50
	Compressor type			Rotary	Rotary	Twin rotary	Twin rotary	Twin rotary	Twin rotary
	Refrigerant type			R32	R32	R32	R32	R32	R32
	GWP			675	675	675	675	675	675
	Refrigerant liquid pipe	mm		6.35	6.35	6.35	6.35	9.52	9.52
	Refrigerant gas pipe	mm		9.52	9.52	12.7	12.7	15.88	15.88
	Max pipe length	m		15	15	25	25	50	50
	Max drop between I.U.&O.U	m		10	10	15	15	30	30
Working temp.	Refrigerant load in factory	kg		0.78	0.78	0.95	0.95	1.3	1.3
	Maximum pipe length without charge refrigerant	m		7	7	7	7	10	10
	Refrigerant charge quantity for extra length	g/m		20	20	20	20	45	45
	Cooling(Min-Max)	°C		-10-46	-10-46	-10-46	-10-46	-10-46	-10-46
Heating(Min-Max)	°C		-15-24	-15-24	-15-24	-15-24	-15-24	-15-24	

* Data is pending;

R32 SUPER MATCH PLUS SINGLE SPLIT(HEAT PUMP)

Medium ESP Duct (DC)



10.5kW



248mm slim design



Airzone control



10 steps pressure adjusted to suit different ductwork length



Built-in high head drain pump maxi. 1000mm

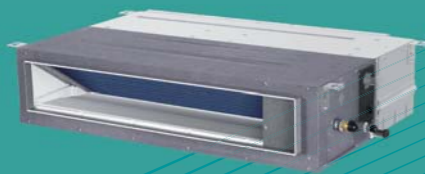


MODEL	Standard Indoor unit(drain pump included)			AD105S2SM3FA	AD105S2SM3FA(H)	AD105S2SM3FA	AD105S2SM3FA(H)
	Outdoor unit			1U105S2SS2FA	1U105S2SS2FA	1U105S2SS1FB	1U105S2SS1FB
Nominal performance data	Capacity	Cooling	Btu/h (nominal)	32400	32400	32400	32400
			kW nominal(min-max)	9.5(2.5-10.0)	9.5(2.5-10.0)	9.5(2.5-10.0)	9.5(2.5-10.0)
	Heating		Btu/h (nominal)	34800	34800	35800	35800
			kW nominal(min-max)	10.2(3.0-10.5)	10.2(3.0-10.5)	10.5(3.0-11)	10.5(3.0-11)
Rated power input	Cooling	kW nom(min-max)	3.16(0.5-4.0)	3.16(0.5-4.0)	3.27(0.5-4.0)	3.27(0.5-4.0)	
	Heating	kW nom(min-max)	2.91(0.5-4.0)	2.91(0.5-4.0)	3.0(0.5-4.0)	3.0(0.5-4.0)	
Seasonal performance data	EER/COP			3.01/3.5	3.01/3.5	2.9/3.5	2.9/3.5
	Cooling P design(35°C)	kW		9.5	9.5	9.5	9.5
	Heating P design(-10°C)	kW		7.2	7.2	6	6
	SEER/SCOP			6.1/3.8	6.1/3.8	6.0/3.91	6.0/3.91
	Energy class(Cooling/Heating)			A++/A	A++/A	A+/A	A+/A
	Annual energy consumption(Cooling)		kW		544	544	569
Annual energy consumption(Heating)		kW		2792	2792	2094	2094
INDOOR UNIT							
Electrical Parameters	Power supply	Ph/V/Hz		1/220-240/50/60	1/220-240/50/60	1/220-240/50/60	1/220-240/50/60
	Air flow(H/M/L)	m³/h		1600/1480/1360	1600/1480/1360	1600/1480/1360	1600/1480/1360
Performance	External static pressure	Pa		25/37(default)/50/70/90/100/110/120/130/150	25/37(default)/50/70/90/100/110/120/130/150	25/37(default)/50/70/90/100/110/120/130/150	25/37(default)/50/70/90/100/110/120/130/150
	Sound power level(H/M/L)	dB(A)		61	61	64	64
	Sound pressure level(H/M/L)	dB(A)		47/44/41	47/44/41	47/44/41	47/44/41
Installation	External dimensions(W/D/H)		mm	1500/700/248	1500/700/248	1500/700/248	1500/700/248
	Shipping dimensions(W/D/H)		mm	1711/870/325	1711/870/325	1711/870/325	1711/870/325
	Net/Shipping weight		kg	46/55	46/55	46/55	46/55
	Controller		optional	YR-E17A	YR-E17A	YR-E17A	YR-E17A
OUTDOOR UNIT							
Electrical Parameters	Power supply	Ph/V/Hz		1/220-240/50/60	1/220-240/50/60	3/380-415/50/60	3/380-415/50/60
	Air flow (H)	m³/h		3500	3500	3500	3500
Performance	Sound power level	dB(A)		66	66	68	68
	Sound pressure level	dB(A)		53	53	54	54
	External dimensions(W/D/H)	mm		920/372/760	920/372/760	920/372/760	920/372/760
Installation	Shipping dimensions(W/D/H)		mm	1036/478/820	1036/478/820	1085/485/830	1085/485/830
	Net/Shipping weight		kg	60/65	60/65	61/66	61/66
	Compressor type			Twin rotary	Twin rotary	Twin rotary	Twin rotary
	Refrigerant type			R32	R32	R32	R32
	GWP			675	675	675	675
	Refrigerant liquid pipe		mm	9.52	9.52	9.52	9.52
	Refrigerant gas pipe		mm	15.88	15.88	15.88	15.88
	Max pipe length		m	50	50	50	50
	Max drop between I.U.&O.U		m	30	30	30	30
	Refrigerant load in factory		kg	1.7	1.7	1.7	1.7
Working temp.	Cooling(Min-Max)		°C	-10-46	-10-46	-10-46	-10-46
	Heating(Min-Max)		°C	-15-24	-15-24	-15-24	-15-24

* Data is pending;

R32 SUPER MATCH PLUS SINGLE SPLIT(HEAT PUMP)

Medium ESP Duct (DC)



12.5kW



248mm slim design



Airzone control



10 steps pressure adjusted to suit different ductwork length



Built-in high head drain pump max. 1000mm

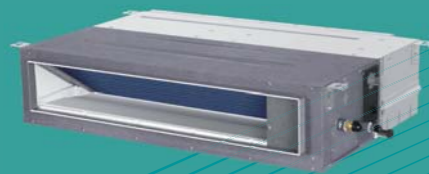


MODEL	Standard Indoor unit(drain pump included)			AD125S2SM3FA	AD125S2SM3FA	AD125S2SM8FA	AD125S2SM8FA
	Outdoor unit			1U125S2SN2FA	1U125S2SN2FB	1U125S2SN2FA	1U125S2SN2FB
Nominal performance data	Capacity	Cooling	Btu/h (nominal)	41980	42320	41980	42320
			kW nominal(min-max)	12.3(3.0-13.0)	12.4(3.0-13.0)	12.3(3.0-13.0)	12.4(3.0-13.0)
	Heating		Btu/h (nominal)	43340	43680	43340	43680
			kW nominal(min-max)	12.7(3.5-13.5)	12.8(3.5-13.5)	12.7(3.5-13.5)	12.8(3.5-13.5)
	Rated power input	Cooling	kW nom(min-max)	4.6(1.0-6.0)	4.51(1.0-6.0)	4.6(1.0-6.0)	4.51(1.0-6.0)
Heating		kW nom(min-max)	3.93(1.0-6.0)	3.87(1.0-6.0)	3.93(1.0-6.0)	3.87(1.0-6.0)	
Seasonal performance data	EER/COP			2.67/3.23	2.75/3.31	2.67/3.23	2.75/3.31
	Cooling P design(35°C)	kW		12.3	12.4	12.3	12.4
	Heating P design(-10°C)	kW		8	8	8	8
	SEER/SCOP			5.72/3.93	5.85/3.96	5.72/3.93	5.85/3.96
	Energy class(Cooling/Heating)			/	/	/	/
	Annual energy consumption(Cooling)		kW		735	718	735
Annual energy consumption(Heating)		kW		3032	3003	3032	3003
INDOOR UNIT							
Electrical Parameters	Power supply	Ph/V/Hz		1/220-240/50/60	1/220-240/50/60	1/220-240/50/60	1/220-240/50/60
	Air flow(H/M/L)	m³/h		2250/1960/1680	2250/1960/1680	2250/1960/1680	2250/1960/1680
Performance	External static pressure	Pa		25/37(default)/50/70/90/100/110/120/130/150	25/37(default)/50/70/90/100/110/120/130/150	25/37(default)/50/70/90/100/110/120/130/150	25/37(default)/50/70/90/100/110/120/130/150
	Sound power level(H/M/L)	dB(A)		65	65	65	65
	Sound pressure level(H/M/L)	dB(A)		48/45/42	48/45/42	48/45/42	48/45/42
Installation	External dimensions(W/D/H)	mm		1500/700/248	1500/700/248	1500/700/248	1500/700/248
	Shipping dimensions(W/D/H)	mm		1711/870/325	1711/870/325	1711/870/325	1711/870/325
	Net/Shipping weight	kg		52/62	52/62	48/57	48/57
	Controller	optional		YR-E17A YR-HQS01	YR-E17A YR-HQS01	YR-E17A YR-HQS01	YR-E17A YR-HQS01
OUTDOOR UNIT							
Electrical Parameters	Power supply	Ph/V/Hz		1/220-240/50/60	3/380-415/50/60	1/220-240/50/60	3/380-415/50/60
Performance	Air flow (H)	m³/h		4200	4200	4200	4200
	Sound power level	dB(A)		72	72	72	72
	Sound pressure level	dB(A)		58	58	58	58
Installation	External dimensions(W/D/H)	mm		950/370/965	950/370/965	950/370/965	950/370/965
	Shipping dimensions(W/D/H)	mm		1050/485/1130	1050/485/1130	1050/485/1130	1050/485/1130
	Net/Shipping weight	kg		84/89	85/90	84/89	85/90
	Compressor type			Twin rotary	Twin rotary	Twin rotary	Twin rotary
	Refrigerant type			R32	R32	R32	R32
	GWP			675	675	675	675
	Refrigerant liquid pipe	mm		9.52	9.52	9.52	9.52
	Refrigerant gas pipe	mm		15.88	15.88	15.88	15.88
	Max pipe length	m		50	50	50	50
	Max drop between I.U.&O.U	m		30	30	30	30
Working temp.	Refrigerant load in factory	kg		2.3	2.3	2.3	2.3
	Maximum pipe length without charge refrigerant	m		30	30	30	30
	Refrigerant charge quantity for extra length	g/m		45	45	45	45
	Cooling(Min-Max)	°C		-10-46	-10-46	-10-46	-10-46
	Heating(Min-Max)	°C		-15-24	-15-24	-15-24	-15-24

* Data is pending;

R32 SUPER MATCH PLUS SINGLE SPLIT(HEAT PUMP)

Medium ESP Duct (DC)



14.0kW



MODEL	Standard Indoor unit(drain pump included)			AD140S2SM8FA	AD140S2SM8FA	AD140S2SM8FA	AD140S2SM8FA
	Outdoor unit			1U140S2SN1FA	1U140S2SN1FB	1U140S2SP2FA	1U140S2SP2FB
Nominal performance data	Capacity	Cooling	Btu/h (nominal)	45700	45700	45700	45700
			kW nominal(min-max)	13.4(3.5-14.0)	13.4(3.5-14.0)	13.4(4.0-15.0)	13.4(4.0-15.0)
	Heating		Btu/h (nominal)	51200	51200	51200	51200
			kW nominal(min-max)	15.0(4.0-15.5)	15.0(4.0-15.5)	15.0(4.5-16.0)	15.0(4.5-16.0)
Rated power input	Cooling	kW nom(min-max)	5.28(1.0-6.5)	5.18(1.0-6.5)	4.17(1.0-6.0)	4.15(1.0-6.0)	
	Heating	kW nom(min-max)	4.92(1.0-6.5)	4.79(1.0-6.5)	4.04(1.0-6.0)	4.02(1.0-6.0)	
Seasonal performance data	EER/COP			2.54/3.05	2.59/3.13	3.21/3.71	3.23/3.73
	Cooling P design(35°C)	kW		13.4	13.4	13.4	13.4
	Heating P design(-10°C)	kW		8.5	8.5	11	11
	SEER/SCOP			5.62/3.93	5.64/3.96	6.16/4.06	6.19/4.06
	Energy class(Cooling/Heating)			A+/A	A+/A	A++/A+	A++/A+
	Annual energy consumption(Cooling)		kW		835	832	761
Annual energy consumption(Heating)		kW		3032	3003	3796	3798
INDOOR UNIT							
Electrical Parameters	Power supply	Ph/V/Hz		1/220-240/50/60	1/220-240/50/60	1/220-240/50/60	1/220-240/50/60
	Air flow(H/M/L)	m³/h		2500/2160/1780	2500/2160/1780	2500/2160/1780	2500/2160/1780
Performance	External static pressure	Pa		25/37(default)/50/70/90/100/110/120/130/150	25/37(default)/50/70/90/100/110/120/130/150	25/37(default)/50/70/90/100/110/120/130/150	25/37(default)/50/70/90/100/110/120/130/150
	Sound power level(H/M/L)	dB(A)		66	66	66	66
	Sound pressure level(H/M/L)	dB(A)		48/45/42	48/45/42	48/45/42	48/45/42
Installation	External dimensions(W/D/H)	mm		1500/700/248	1500/700/248	1500/700/248	1500/700/248
	Shipping dimensions(W/D/H)	mm		1711/870/325	1711/870/325	1711/870/325	1711/870/325
	Net/Shipping weight	kg		48/57	48/57	48/57	48/57
	Controller	optional		YR-E17A YR-HQS01	YR-E17A YR-HQS01	YR-E17A YR-HQS01	YR-E17A YR-HQS01
OUTDOOR UNIT							
Electrical Parameters	Power supply	Ph/V/Hz		1/220-240/50/60	3/380-415/50/60	1/220-240/50/60	3/380-415/50/60
Performance	Air flow (H)	m³/h		4200	4200	7000	7400
	Sound power level	dB(A)		72	72	70	70
	Sound pressure level	dB(A)		58	58	53	53
Installation	External dimensions(W/D/H)	mm		950/370/965	950/370/965	950/370/1350	950/370/1350
	Shipping dimensions(W/D/H)	mm		1050/485/1130	1050/485/1130	1050/485/1500	1050/485/1500
	Net/Shipping weight	kg		84/89	85/90	105/118	101/116
	Compressor type			Twin rotary	Twin rotary	Twin rotary	Twin rotary
	Refrigerant type			R32	R32	R32	R32
	GWP			675	675	675	675
	Refrigerant liquid pipe	mm		9.52	9.52	9.52	9.52
	Refrigerant gas pipe	mm		15.88	15.88	15.88	15.88
	Max pipe length	m		50	50	70	70
	Max drop between I.U.&O.U	m		30	30	30	30
Working temp.	Refrigerant load in factory	kg		2.3	2.3	2.9	3.5
	Maximum pipe length without charge refrigerant	m		30	30	30	30
	Refrigerant charge quantity for extra length	g/m		45	45	45	45
	Cooling(Min-Max)	°C		-10-46	-10-46	-10-46	-10-46
	Heating(Min-Max)	°C		-15-24	-15-24	-15-24	-15-24

* Data is pending;



248mm slim design



Airzone control

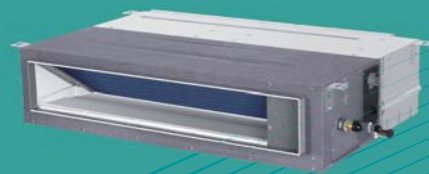


10 steps pressure adjusted to suit different ductwork length



Built-in high head drain pump maxi. 1000mm

Medium ESP Duct (DC)

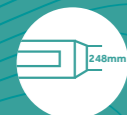


14.0 / 16.0kW



MODEL	Standard Indoor unit(drain pump included)			AD140S2SM3FA	AD140S2SM3FA	AD140S2SM3FA	AD140S2SM3FA	AD160S2SM3FA
	Outdoor unit			1U140S2SN1FA	1U140S2SN1FB	1U140S2SP2FA	1U140S2SP2FB	1U160S2SP1FB
Nominal performance data	Capacity	Cooling	Btu/h (nominal)	45700	45700	45700	45700	54600
			kW nominal(min-max)	13.4(3.5-14.0)	13.4(3.5-14.0)	13.4(4.0-15.0)	13.4(4.0-15.0)	16.0(4.5-16.5)
	Heating		Btu/h (nominal)	51200	51200	51200	51200	58000
			kW nominal(min-max)	15.0(4.0-15.5)	15.0(4.0-15.5)	15.0(4.5-16.0)	15.0(4.5-16.0)	17.0(5.0-18.0)
Rated power input	Cooling	kW nom(min-max)	5.28(1.0-6.5)	5.18(1.0-6.5)	4.17(1.0-6.0)	4.15(1.0-6.0)	5.48(1.0-6.5)	5.48(1.0-6.5)
	Heating	kW nom(min-max)	4.92(1.0-6.5)	4.79(1.0-6.5)	4.04(1.0-6.0)	4.02(1.0-6.0)	4.82(1.0-6.5)	4.82(1.0-6.5)
Seasonal performance data	EER/COP			2.54/3.05	2.59/3.13	3.21/3.71	3.23/3.73	2.92/3.53
	Cooling P design(35°C)	kW		13.4	13.4	13.4	13.4	16
	Heating P design(-10°C)	kW		8.5	8.5	11	11	11
	SEER/SCOP			5.62/3.93	5.64/3.96	6.16/4.06	6.19/4.06	5.94/4.06
	Energy class(Cooling/Heating)			A+/A	A+/A	A++/A+	A+/A+	A+/A+
	Annual energy consumption(Cooling)		kW	835	832	761	758	943
Annual energy consumption(Heating)		kW	3032	3003	3796	3798	3798	
INDOOR UNIT								
Electrical Parameters	Power supply	Ph/V/Hz		1/220-240/50/60	1/220-240/50/60	1/220-240/50/60	1/220-240/50/60	1/220-240/50/60
	Air flow(H/M/L)	m³/h		2500/2160/1780	2500/2160/1780	2500/2160/1780	2500/2160/1780	2500/2160/1780
Performance	External static pressure	Pa		25/37(default)/50/70/90/100/110/120/130/150	25/37(default)/50/70/90/100/110/120/130/150	25/37(default)/50/70/90/100/110/120/130/150	25/37(default)/50/70/90/100/110/120/130/150	25/37(default)/50/70/90/100/110/120/130/150
	Sound power level(H/M/L)	dB(A)		66	66	66	66	67
	Sound pressure level(H/M/L)	dB(A)		48/45/42	48/45/42	48/45/42	48/45/42	48/45/42
Installation	External dimensions(W/D/H)	mm		1500/700/248	1500/700/248	1500/700/248	1500/700/248	1500/700/248
	Shipping dimensions(W/D/H)	mm		1711/870/325	1711/870/325	1711/870/325	1711/870/325	1711/870/325
	Net/Shipping weight	kg		52/62	52/62	52/62	52/62	48/57
	Controller	optional		YR-E17A YR-HQS01	YR-E17A YR-HQS01	YR-E17A YR-HQS01	YR-E17A YR-HQS01	YR-E17A YR-HQS01
OUTDOOR UNIT								
Electrical Parameters	Power supply	Ph/V/Hz		1/220-240/50/60	3/380-415/50/60	1/220-240/50/60	3/380-415/50/60	3/380-415/50/60
Performance	Air flow (H)	m³/h		4200	4200	7000	7400	7400
	Sound power level	dB(A)		72	72	70	70	72
	Sound pressure level	dB(A)		58	58	53	53	58
Installation	External dimensions(W/D/H)	mm		950/370/965	950/370/965	950/370/1350	950/370/1350	950/370/1350
	Shipping dimensions(W/D/H)	mm		1050/485/1130	1050/485/1130	1050/485/1500	1050/485/1500	1050/485/1500
	Net/Shipping weight	kg		84/89	85/90	105/118	101/116	101/116
	Compressor type			Twin rotary	Twin rotary	Twin rotary	Twin rotary	Twin rotary
Installation	Refrigerant type			R32	R32	R32	R32	R32
	GWP			675	675	675	675	675
	Refrigerant liquid pipe	mm		9.52	9.52	9.52	9.52	9.52
	Refrigerant gas pipe	mm		15.88	15.88	15.88	15.88	19.05
	Max pipe length	m		50	50	70	70	70
	Max drop between I.U.&O.U	m		30	30	30	30	30
	Refrigerant load in factory	kg		2.3	2.3	2.9	3.5	3.5
	Maximum pipe length without charge refrigerant	m		30	30	30	30	30
	Refrigerant charge quantity for extra length	g/m		45	45	45	45	45
	Working temp.	Cooling(Min-Max)	°C		-10-46	-10-46	-10-46	-10-46
Heating(Min-Max)		°C		-15-24	-15-24	-15-24	-15-24	-15-24

* Data is pending;



248mm slim design



Airzone control



10 steps pressure adjusted to suit different ductwork length

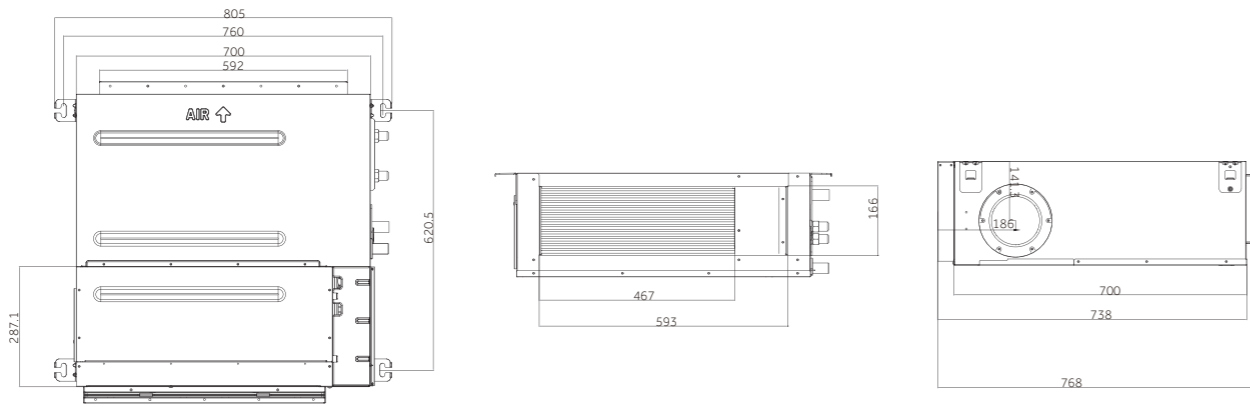


Built-in high head drain pump maxi. 1000mm

Indoor Platform

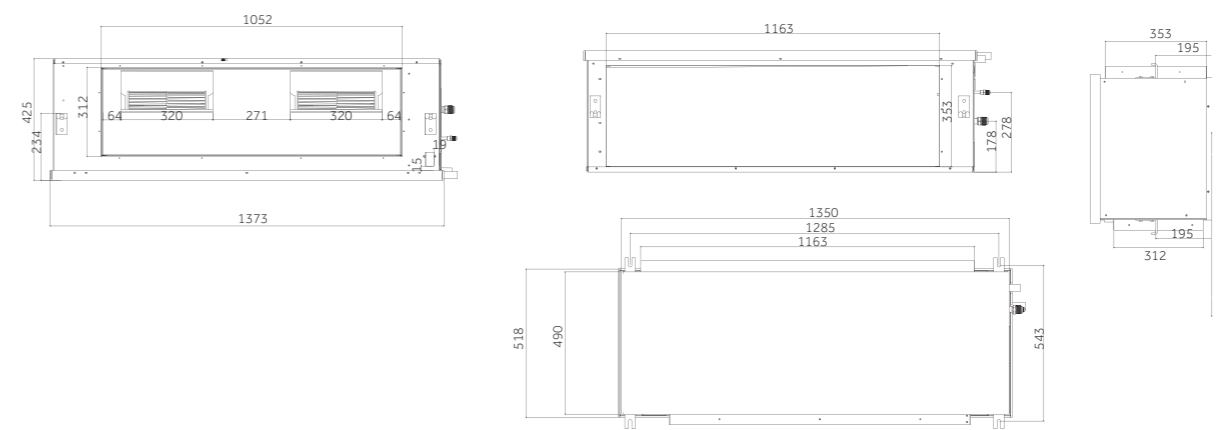
Medium ESP Duct Type

AD35S2SM3FA



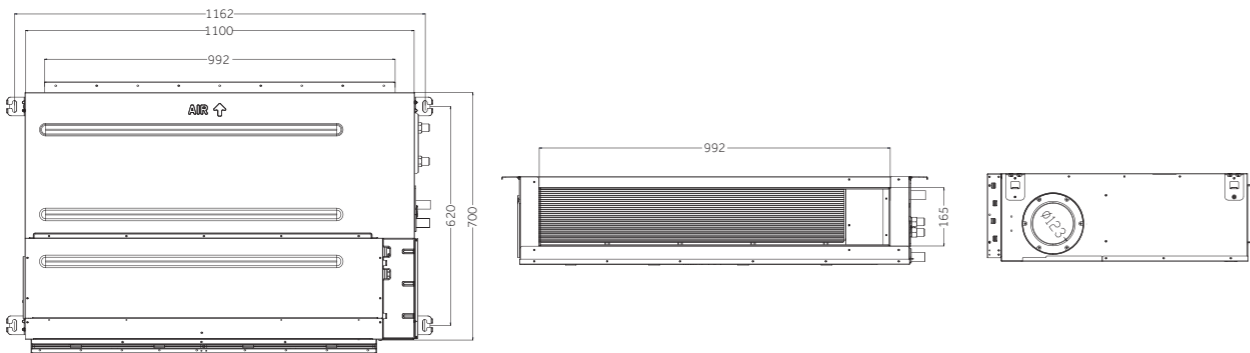
High ESP Duct Type

ADH105H1ERG/ADH125H1ERG/ADH140H1ERG/ADH160H1ERG



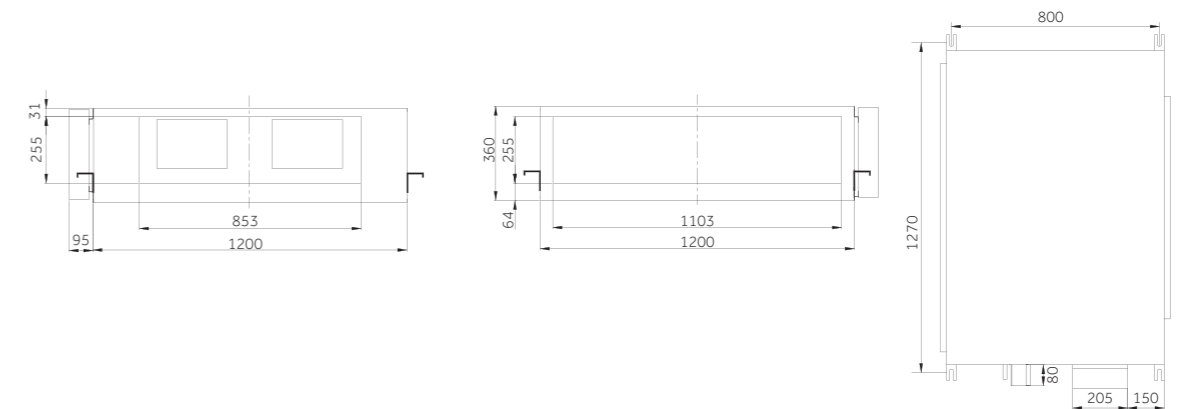
Medium ESP Duct Type

AD50S2SM3FA/AD71S2SM3FA/AD71S2SM6FA/AD90S2SM3FA/AD100S2SM6FA



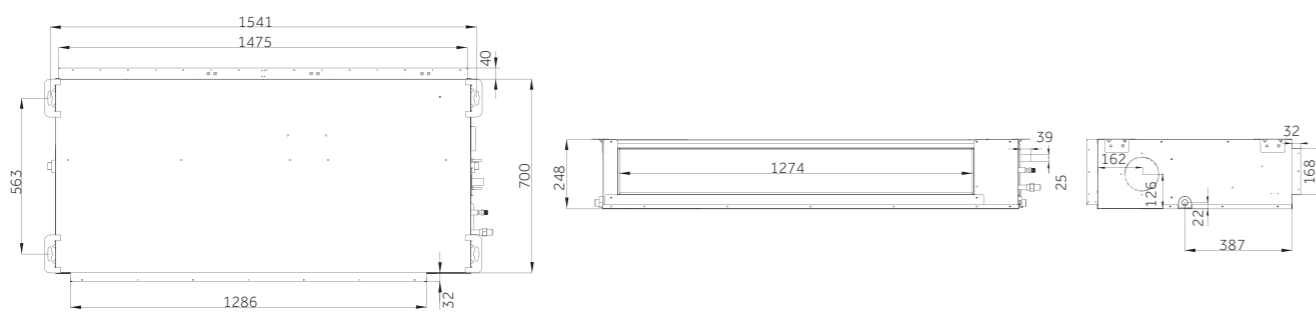
High ESP Duct Type

AD48HS1ERA(S)/AD60HS1ERA(S)



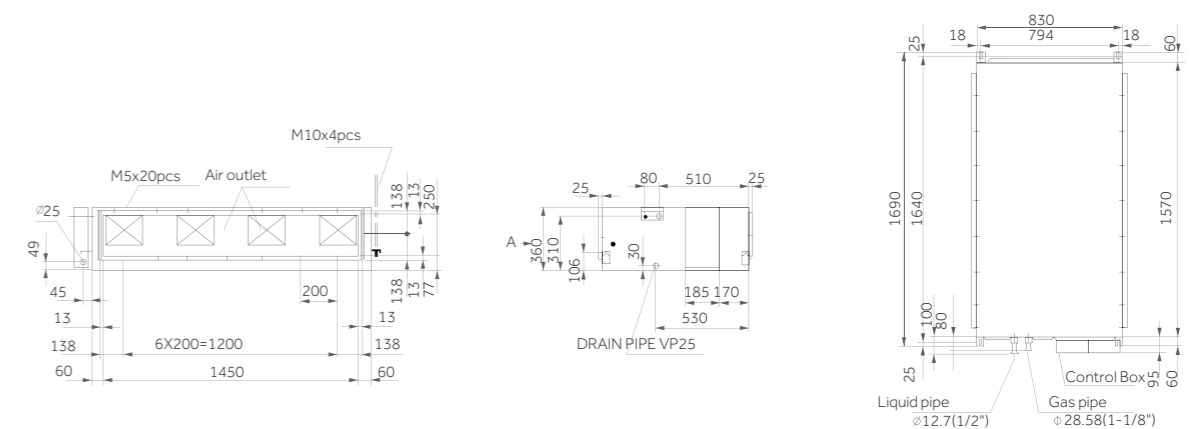
Medium ESP Duct Type

AD105S2SM3FA/AD125S2SM3FA/AD140S2SM3FA



High ESP Duct Type

AD842AHEAA

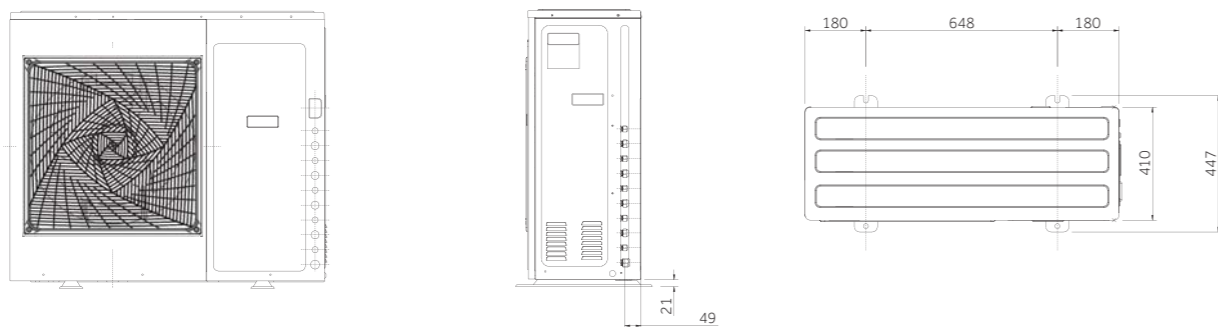


Outdoor Platform(R410A)

Outdoor Platform(R32)

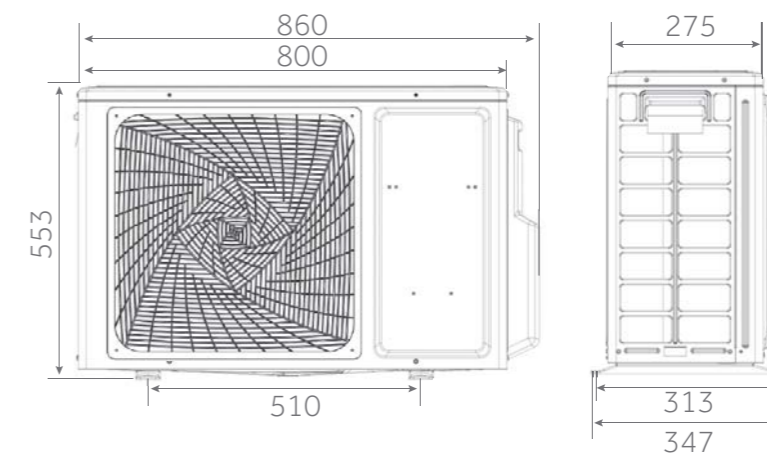
Multi Split

5U45LS1ERA



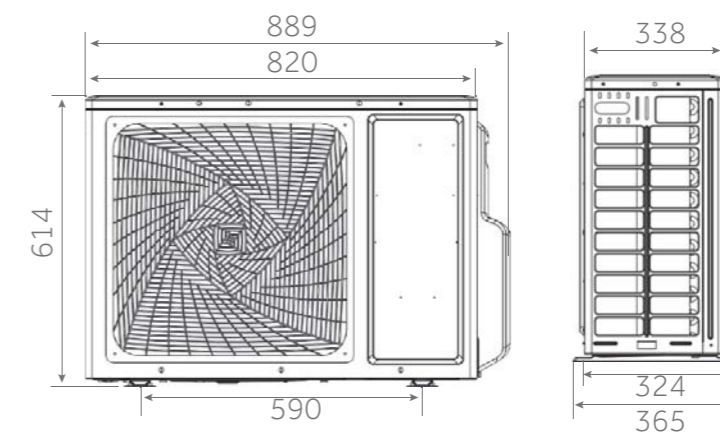
Single Split

1U25S2SM1FA/1U35S2SM1FA/1U42S2SM1FA



Single Split

1U50S2SJ2FA/1U50S2SJ2FA-1



Single Split

1U71S2SR2FA

