

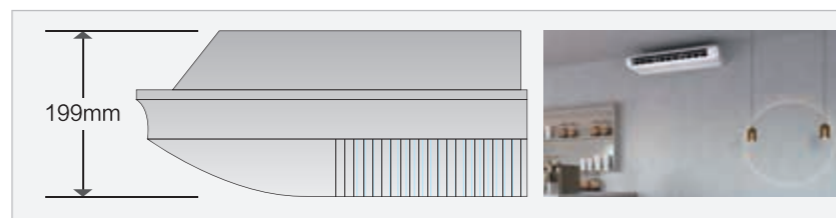


Convertible Type

Slim Duct

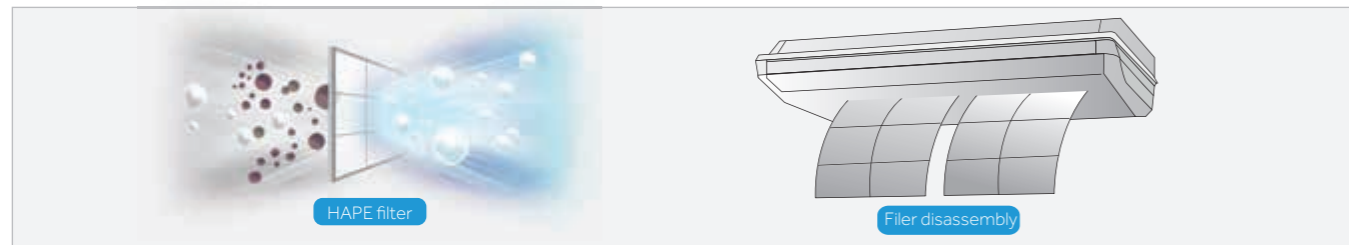
Thinner body design, good value option

Thin fuselage thickness is only 199mm (2HP), streamlined design, beautiful and generous, commercial home decoration value choice.



Standard with filter, easy installation

With high efficiency filter, fully filter dust, smoke and other fine particles in the air, improve indoor air quality. Filter netease disassembly, easy cleaning, reduce cleaning and maintenance operations, so that you enjoy fresh air.



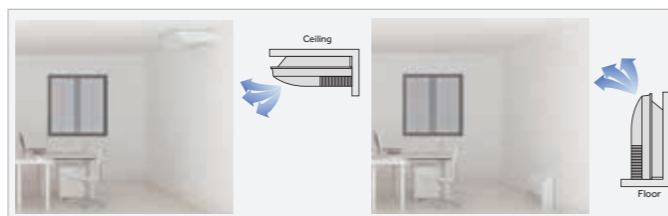
Air supply in 5 angles, more comfortable

Double swing air motor design, while up and down swing air supply, left and right swing air can also adjust the Angle of air supply, realize the full wind level three-dimensional air supply, at the same time provide four speed adjustable, improve user comfort.



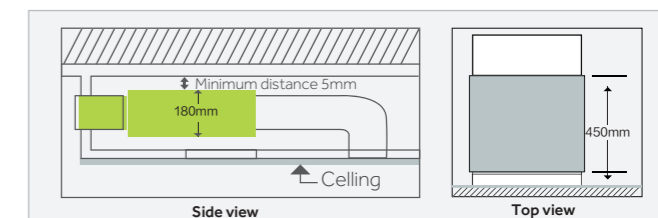
Multiple installation modes flexible optional

Users can choose ceiling installation, also can choose ground installation, convenient for users to choose freely.



Adjusted ESP super slim save installation space agile and convenient

Fuselage thickness of only 180mm, easy to install in the height of narrow residential ceiling, fuselage depth of only 450mm, save the ceiling area, and fully cooperate with the interior decoration.



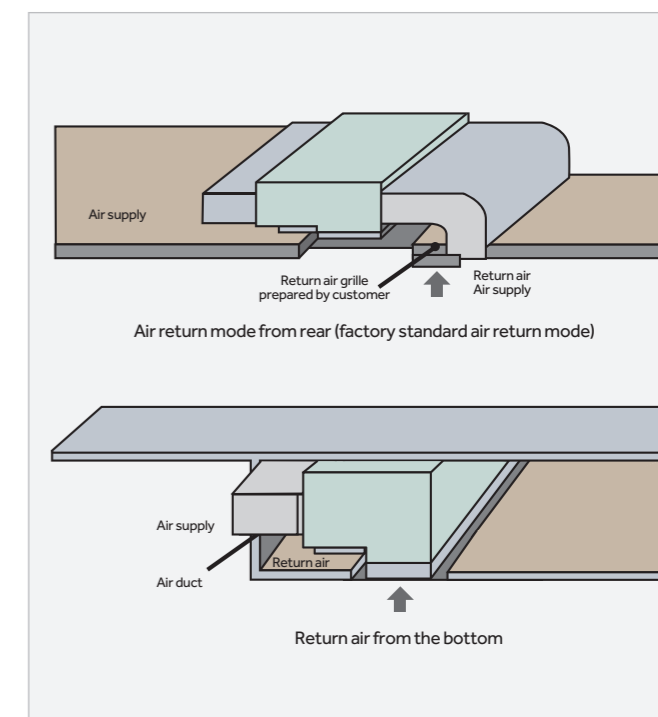
Quiet operation

High efficiency model * High efficiency brushless DC motor, speed stepless adjustment, can achieve seven air supply, greatly reduce operating noise.

Through the reasonable design of indoor unit thermal components and internal air duct, four block wind speed, silent operation is realized. Note: The standard model of AC motor is also available.

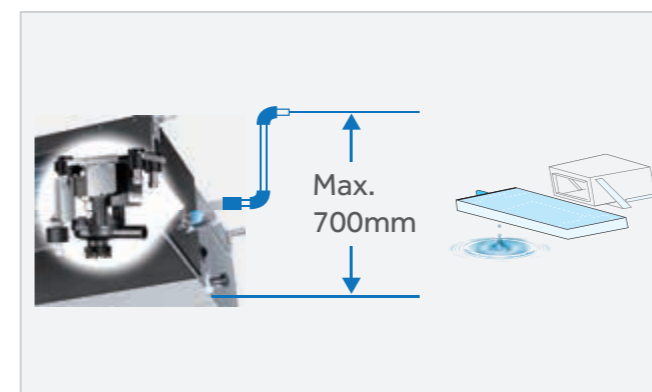
Return air mode selection according to local conditions -- more user-friendly installation

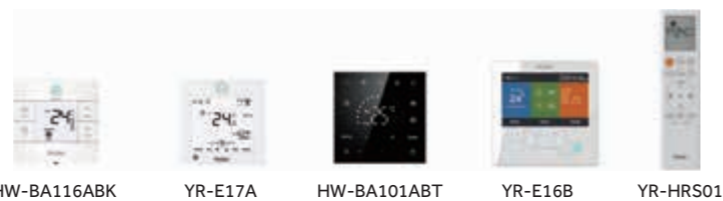
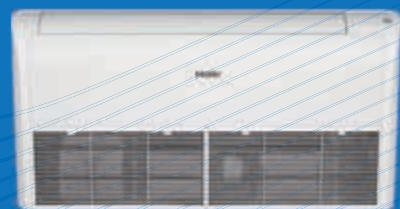
Provide bottom and rear two return air modes, indoor installation more flexible and convenient, users can choose the best installation scheme according to the characteristics of interior decoration. Note: If there is enough installation space, it is recommended to use the side feed back mode, which can effectively reduce the running sound.



High lift-up drain pump

Standard condensate water lifting pump, standard head 700mm, special models customized range up to 1200mm, and built-in float switch, convenient to cooperate with the actual situation of the site, condensate water discharge air conditioning.





DC fan motor



Automatic horizontal and vertical swing



Flexible installation, on the floor or on the ceiling



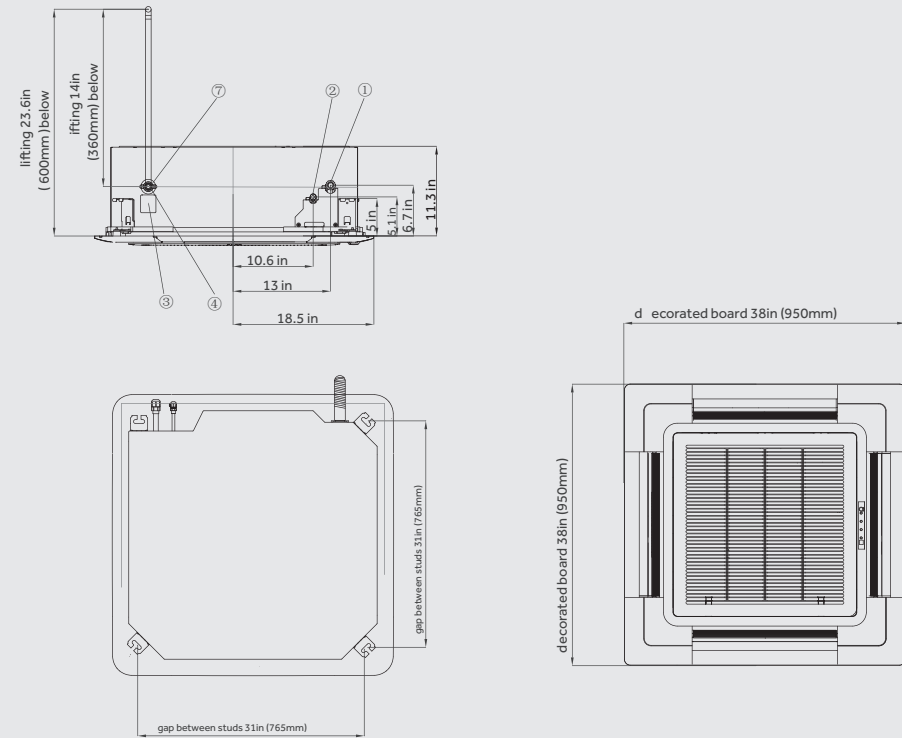
Reserved fresh air inlet

Model/Indoor unit			AC092MDERA	AC122MDERA	AC162MDERA	AC182MDERA	AC242MDERA	AC282MDERA	AC302MDERA	AC382MDERA	AC482MDERA
Capacity	Cooling	kBtu/h	9.5	12.3	15.4	19.1	24.2	27.3	30.7	38.2	48.0
		kW	2.8	3.6	4.5	5.6	7.1	8	9	11.2	14.0
	Heating	Btu/h	10.9	13.6	17.1	21.5	27.3	30.7	34.1	42.6	55.0
		kW	3.2	4.0	5	6.3	8	9	10	12.5	16.0
Electrical Parameters	Power supply	Ph/V/Hz	1,220-230.50/60	1,220-230.50/60	1,220-230.50/60	1,220-230.50/60	1,220-230.50/60	1,220-230.50/60	1,220-230.50/60	1,220-230.50/60	1,220-230.50/60
Performance	Air flow (H)	m³/h	820/750/690	820/750/690	950/820/690	950/820/690	1420/1270/1240	1570/1420/1240	1570/1420/1240	2110/1990/1750	2110/1990/1750
	Sound pressure level(H/M/L)	dB(A)	38/36/34	38/36/34	42/38/35	42/38/35	46/44/41	47/44/41	47/44/41	50/46/43	50/46/43
	Sound power level(H/M/L)	dB(A)	52/50/47	52/50/47	55/51/48	55/51/48	60/58/54	61/58/54	61/58/55	63/60/57	63/60/57
Installation	External dimensions(W/D/H)	mm	1000/230/680	1000/230/680	1000/230/680	1000/230/680	1325/230/680	1325/230/680	1325/230/680	1650/230/680	1650/230/680
	Shipping dimensions(W/D/H)	mm	1100/305/779	1100/305/779	1100/305/779	1100/305/779	1425/305/779	1425/305/779	1425/305/779	1750/305/779	1750/305/779
	Net/Shipping weight	kg	27.9/33.6	27.9/33.6	27.9/33.6	27.9/33.6	35.8/42.1	35.8/42.1	35.8/42.1	43.5/50.5	43.5/50.5
	Refrigerant liquid pipe	mm	6.35	6.35	6.35	6.35	9.52	9.52	9.52	9.52	9.52
	Refrigerant gas pipe	mm	9.52	12.7	12.7	12.7	15.88	15.88	15.88	15.88	15.88
Controller	Wired(Optional)	/	HW-BA101ABT	HW-BA101ABT	HW-BA101ABT	HW-BA101ABT	HW-BA101ABT	HW-BA101ABT	HW-BA101ABT	HW-BA101ABT	HW-BA101ABT
		/	YR-E16B	YR-E16B	YR-E16B	YR-E16B	YR-E16B	YR-E16B	YR-E16B	YR-E16B	YR-E16B
		/	HW-BA116ABK	HW-BA116ABK	HW-BA116ABK	HW-BA116ABK	HW-BA116ABK	HW-BA116ABK	HW-BA116ABK	HW-BA116ABK	HW-BA116ABK
		/	YR-E17A	YR-E17A	YR-E17A	YR-E17A	YR-E17A	YR-E17A	YR-E17A	YR-E17A	YR-E17A
	Infrared(Optional)	/	YR-HRS01	YR-HRS01	YR-HRS01	YR-HRS01	YR-HRS01	YR-HRS01	YR-HRS01	YR-HRS01	YR-HRS01

Dimensions

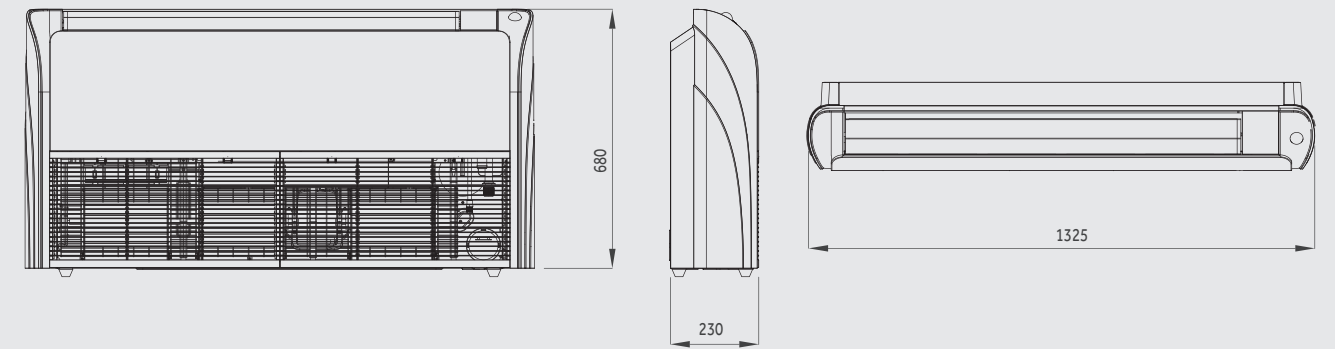
4-way Cassette

AB482MNERA AB602MNERA



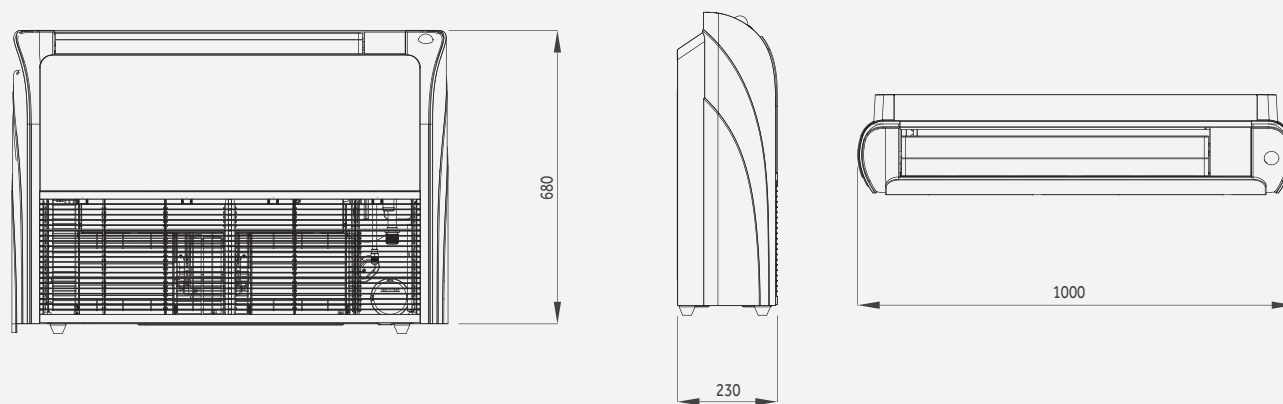
Convertible

AC242MDERA AC282MDERA AC302MDERA



Convertible

AC092MDERA AC122MDERA AC162MDERA AC182MDERA



Convertible

AC382MDERA AC482MDERA

