



Healthy

HEPA Module (Optional)

PM2.5 is particulate matter with a diameter of $\leq 2.5\mu\text{m}$ in the air, which has negative impacts on air quality and visibility. PM2.5 has small particle size, large area, strong activity, easy to carry toxic and harmful substances (such as heavy metals, microorganisms, etc.), long residence time in the atmosphere and long transportation distance, so it has a greater impact on human health and atmospheric environmental quality.

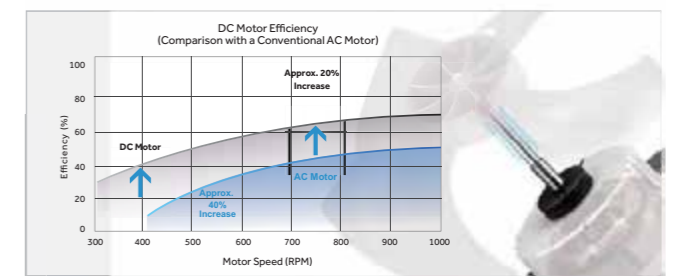
HEPA module could remove PM2.5 with high purifying efficiency-99.9% per 2h.



Energy Saving

DC Fan Motor

Comparing with conventional AC fan motor, and DC fan motor is more efficiency. Motor power input reduced 50% than that with the same power output.



Comfortable



1 "Spiral" Panel

"Spiral" concept, "Haier" image.

2 Flap is Closed When Air Conditioner Off

There is no crack from the flap and the panel when the air conditioner off. More elegance.

Individual Flap Control

The four flaps can be controlled individually according to end users by controller, providing maximum comfort throughout the room, it is a good solution to avoid "air conditioning disease".

5-speed Airflow

There are 5-speed airflow: super low/low/medium/high/Turbo mode to choose. Turbo mode with super high speed for cooling/heating rapidly; (15 minutes return to high speed to lower the sound level).



Smart

WiFi

Besides normal wired/infrared control, Haier supplies Smart Control from hOn APP, including the on/off, operation mode selection, fan speed temperature, and air flow adjustment, schedule, UV function and steri-clean 56°C, etc.



Convenient

Easy-access Electrical Box Design

The electrical box is located in the unit, and you can just make maintenance by opening the panel, without opening the ceiling.

620mm*620mm Panel

The new 620mm*620mm panel is very fit for the standard decoration panel, and without covering other things, such as light.



Round-way Cassette



7.1 / 10.0 / 12.5kW



MODEL			Indoor unit	AB71S2SG1FA	ABH105H1ERG	ABH105H1ERG	ABH125K1ERG	ABH125K1ERG
			Outdoor unit	1U71S2SR2FA	1U105S2SS2FA	1U105S2SS1FB	1U125S2SN2FA	1U125S2SN2FB
Nominal performance data	Capacity	Cooling	Btu/h (nor)	24300	31400	31400	41980	42320
			kW nor(min-max)	7.1(2-7.3)	9.2(2.5-10.0)	9.2(2.5-10.0)	12.3(3.0-13.0)	12.4(3.0-13.0)
	Heating		Btu/h (nor)	27300	34500	34500	43340	43680
			kW nor(min-max)	8.0(2.5-8)	10.1(3.0-10.5)	10.5(3.0-11)	12.7(3.5-13.5)	12.8(3.5-13.5)
	Rated power input	Cooling	kW nom(min-max)	2.20(0.5-2.6)	3.12(0.5-4.0)	3.12(0.5-4.0)	4.84(1.0-6.0)	4.81(1.0-6.0)
		Heating	kW nom(min-max)	2.15(0.5-2.6)	2.91(0.5-4.0)	3.0(0.5-4.0)	4.44(1.0-6.0)	4.41(1.0-6.0)
Seasonal performance data	EER/COP			3.23/3.72	3/3.5	3/3.5	2.54/2.86	2.58/2.93
	Cooling P design(35°C)		kW	7.1	9.2	9.2	12.3	12.4
	Heating P design(-10°C)		kW	5	7	6	8.3	8.3
	SEER/SCOP			6.1/3.8	5.9/3.8	5.9/3.91	5.68/3.93	5.71/3.96
	Energy class(Cooling/Heating)			A+/A	A+/A	A+/A	/	/
	Annual energy consumption(Cooling)		kW	406	555	555	740	736
	Annual energy consumption(Heating)		kW	1831	2780	2136	3032	3003
INDOOR UNIT								
Elec. parameters	Power supply		Ph/V/Hz	1/220-240/50/60	1/220-240/50/60	1/220-240/50/60	1/220-240/50/60	1/220-240/50/60
	Air flow(H/M/L)		m³/h	1260/1070/820	1680/1530/1320	1680/1530/1320	1950/1600/1440	1950/1600/1440
Performance	Sound power level(H/M/L)		dB(A)	55	62	63	64	64
	Sound pressure level(H/M/L)		dB(A)	42/40/38	45/42/38	45/42/38	47/44/38	47/44/38
	External dimensions(W/D/H)		mm	840/840/204	840/840/246	840/840/246	840/840/288	840/840/288
Installation	Shipping dimensions(W/D/H)		mm	990/990/310	990/990/330	990/990/330	990/990/380	990/990/380
	Net/Shipping weight		kg	27/32	31/36	31/36	32/38	32/38
	Controller		optional	YR-HQS01	YR-HQS01	YR-HQS01	YR-HQS01	YR-HQS01
			optional	YR-E17A	YR-E17A	YR-E17A	YR-E17A	YR-E17A
Panel	Panel Model			PB-950KB(standard panel)	PB-950KB(standard panel)	PB-950KB(standard panel)	PB-950KB(standard panel)	PB-950KB(standard panel)
	External dimensions(W/D/H)		mm	950/950/50	950/950/50	950/950/50	950/950/50	950/950/50
	Shipping dimensions(W/D/H)		mm	1013/1025/123	1013/1025/123	1013/1025/123	1013/1025/123	1013/1025/123
	Net/Shipping weight		kg	6.5/9.5	6.5/9.5	6.5/9.5	6.5/9.5	6.5/9.5
OUTDOOR UNIT								
Elec. parameters	Power supply		Ph/V/Hz	1/220-240/50/60	1/220-240/50/60	3/380-415/50/60	1/220-240/50/60	3/380-415/50/60
	Air flow (H)		m³/h	3000	3500	3500	4200	4200
Performance	Sound power level		dB(A)	67	66	68	72	72
	Sound pressure level		dB(A)	54	53	54	58	58
	External dimensions(W/D/H)		mm	890/353/697	920/372/760	920/372/760	950/370/965	950/370/965
Installation	Shipping dimensions(W/D/H)		mm	1046/460/780	1036/478/820	1085/485/830	1050/485/1130	1050/485/1130
	Net/Shipping weight		kg	45/50	60/65	61/66	84/89	85/90
	Compressor type			Twin rotary	Twin rotary	Twin rotary	Twin rotary	Twin rotary
	Refrigerant type			R32	R32	R32	R32	R32
	GWP			675	675	675	675	675
	Refrigerant liquid pipe		mm	9.52	9.52	9.52	9.52	9.52
	Refrigerant gas pipe		mm	15.88	15.88	15.88	15.88	15.88
	Max pipe length		m	50	50	50	50	50
	Max drop between I.U.&O.U		m	30	30	30	30	30
	Refrigerant load in factory		kg	1.3	1.7	1.7	2.3	2.3
Working temp.	Maximum pipe length without charge refrigerant		m	10	30	30	30	30
	Refrigerant charge quantity for extra length		g/m	45	45	45	45	45
	Cooling(Min-Max)		°C	-10-46	-10-46	-10-46	-10-46	-10-46
Heating(Min-Max)		°C	-15-24	-15-24	-15-24	-15-24	-15-24	

* Data is pending;



Round way air supply



Move eye intelligent system



Convenient clip



Undoing only one screw for wiring

Round-way Cassette



14.0 / 16.0kW



Round way air supply



Move eye intelligent system



Convenient clip



Undoing only one screw for wiring



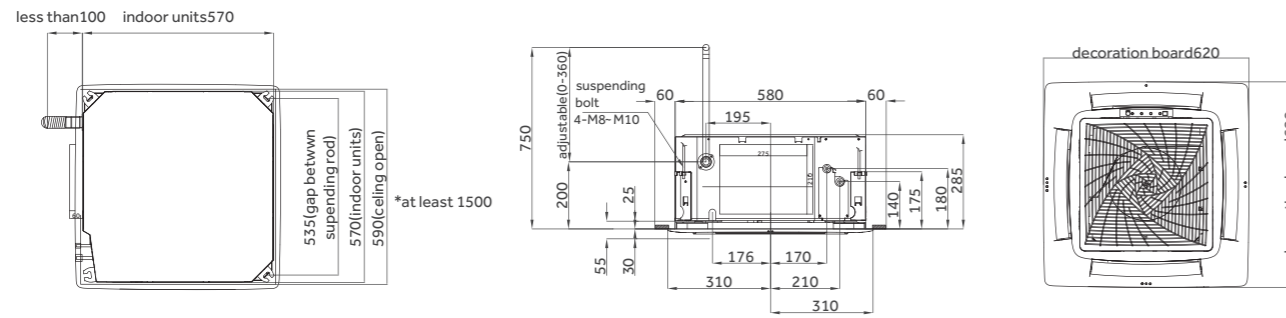
MODEL			Indoor unit	ABH140K1ERG	ABH140K1ERG	ABH140K1ERG	ABH140K1ERG	ABH160K1ERG
			Outdoor unit	1U140S2SN1FA	1U140S2SN1FB	1U140S2SP2FA	1U140S2SP2FB	1U160S2SP1FB
Nominal performance data	Capacity	Cooling	Btu/h (nor)	45700	45700	46410	46410	51200
			kW nor(min-max)	13.4(3.5-14.0)	13.4(3.5-14.0)	13.6(4.0-15.0)	13.6(4.0-15.0)	15(4.5-16.0)
	Heating		Btu/h (nor)	51200	51200	51200	51200	54600
			kW nor(min-max)	15.0(4.0-15.5)	15.0(4.0-15.5)	15.0(4.5-16.0)	15.0(4.5-16.0)	16(5.0-17.0)
	Rated power input	Cooling	kW nom(min-max)	5.51(1.0-6.5)	5.28(1.0-6.5)	4.86(1.0-6.0)	4.98(1.0-6.0)	5.03(1.0-6.5)
		Heating	kW nom(min-max)	5.77(1.0-6.5)	5.70(1.0-6.5)	4.75(1.0-6.0)	4.67(1.0-6.0)	5.26(1.0-6.5)
Seasonal performance data	EER/COP			2.43/2.6	2.54/2.63	2.8/3.1	2.73/3.06	2.98/3.04
	Cooling P design(35°C)		kW	13.4	13.4	13.6	13.6	15
	Heating P design(-10°C)		kW	8.5	8.5	10	10	11
	SEER/SCOP			5.62/3.93	5.62/3.96	5.7/3.94	5.7/3.99	5.96/3.99
	Energy class(Cooling/Heating)			/	/	/	/	/
	Annual energy consumption(Cooling)		kW	838	834	800	782	880
Annual energy consumption(Heating)		kW	3032	3003	3768	3748	3859	
INDOOR UNIT								
Elec. parameters	Power supply		Ph/V/Hz	1/220-240/50/60	1/220-240/50/60	1/220-240/50/60	1/220-240/50/60	1/220-240/50/60
	Air flow(H/M/L)		m³/h	1950/1600/1440	1950/1600/1440	1950/1600/1440	1950/1600/1440	2050/1600/1440
Performance	Sound power level(H/M/L)		dB(A)	64	64	64	64	65
	Sound pressure level(H/M/L)		dB(A)	47/44/38	47/44/38	47/44/38	47/44/38	48/44/38
	External dimensions(W/D/H)		mm	840/840/288	840/840/288	840/840/288	840/840/288	840/840/288
Installation	Shipping dimensions(W/D/H)		mm	990/990/380	990/990/380	990/990/380	990/990/380	990/990/380
	Net/Shipping weight		kg	32/38	32/38	32/38	32/38	32/38
	Controller		optional	YR-HQS01	YR-HQS01	YR-HQS01	YR-HQS01	YR-HQS01
			optional	YR-E17A	YR-E17A	YR-E17A	YR-E17A	YR-E17A
Panel	Panel Model			PB-950KB(standard panel)	PB-950KB(standard panel)	PB-950KB(standard panel)	PB-950KB(standard panel)	PB-950KB(standard panel)
	External dimensions(W/D/H)		mm	950/950/50	950/950/50	950/950/50	950/950/50	950/950/50
	Shipping dimensions(W/D/H)		mm	1013/1025/123	1013/1025/123	1013/1025/123	1013/1025/123	1013/1025/123
	Net/Shipping weight		kg	6.5/9.5	6.5/9.5	6.5/9.5	6.5/9.5	6.5/9.5
OUTDOOR UNIT								
Elec. parameters	Power supply		Ph/V/Hz	1/220-240/50/60	3/380-415/50/60	1/220-240/50/60	3/380-415/50/60	3/380-415/50/60
	Air flow (H)		m³/h	4200	4200	7000	7400	7400
Performance	Sound power level		dB(A)	72	72	70	70	72
	Sound pressure level		dB(A)	58	58	53	53	58
	External dimensions(W/D/H)		mm	950/370/965	950/370/965	950/370/1350	950/370/1350	950/370/1350
Installation	Shipping dimensions(W/D/H)		mm	1050/485/1130	1050/485/1130	1050/485/1500	1050/485/1500	1050/485/1500
	Net/Shipping weight		kg	84/89	85/90	105/118	101/116	101/116
	Compressor type			Twin rotary	Twin rotary	Twin rotary	Twin rotary	Twin rotary
	Refrigerant type			R32	R32	R32	R32	R32
	GWP			675	675	675	675	675
	Refrigerant liquid pipe		mm	9.52	9.52	9.52	9.52	9.52
	Refrigerant gas pipe		mm	15.88	15.88	15.88	15.88	19.05
	Max pipe length		m	50	50	70	70	70
	Max drop between I.U.&O.U		m	30	30	30	30	30
	Refrigerant load in factory		kg	2.3	2.3	2.9	3.5	3.5
Maximum pipe length without charge refrigerant		m	30	30	30	30	30	
Refrigerant charge quantity for extra length		g/m	45	45	45	45	45	
Working temp.	Cooling(Min-Max)		°C	-10-46	-10-46	-10-46	-10-46	-10-46
	Heating(Min-Max)		°C	-15-24	-15-24	-15-24	-15-24	-15-24

* Data is pending;

Indoor Platform

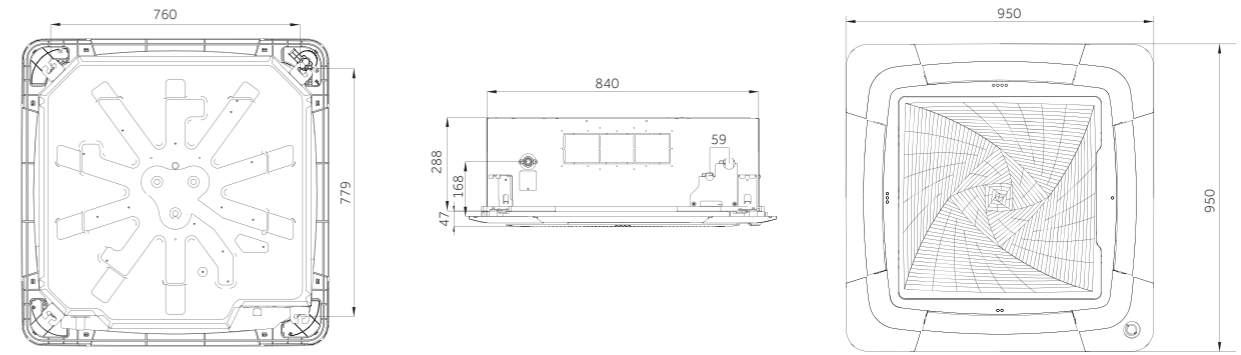
Compact Cassette (620)

AB25S2SC1FA/AB25S2SC2FA/AB35S2SC1FA/
AB35S2SC2FA/AB50S2SC1FA/AB50S2SC2FA



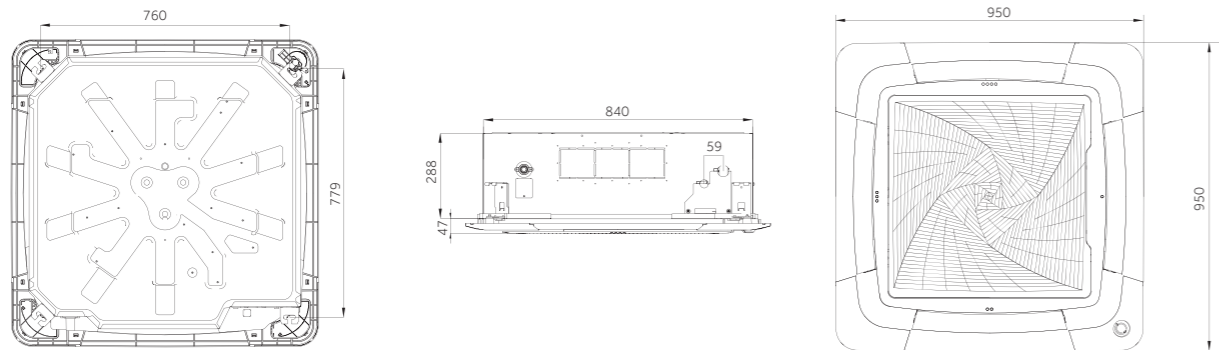
Cassette Type (Round Way Cassette)

ABH125K1ERG/ABH140K1ERG/ABH160K1ERG



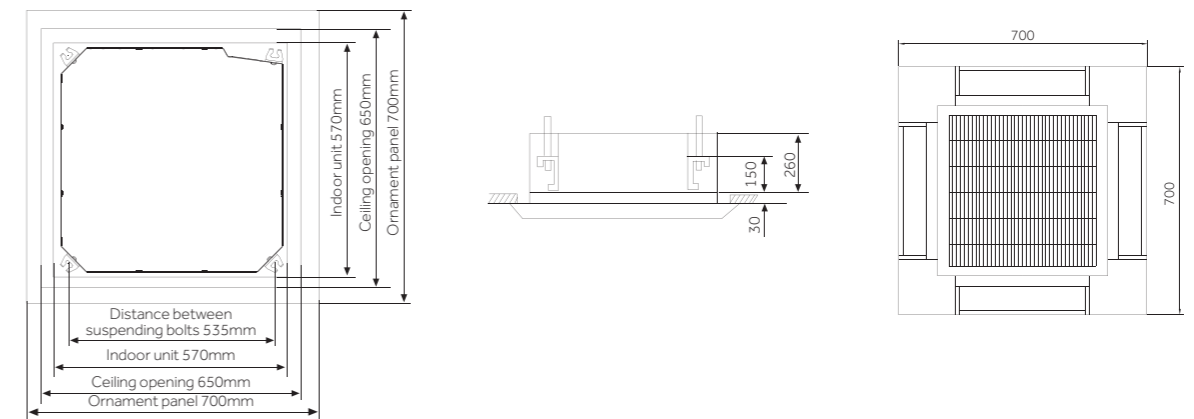
Cassette Type (Round Way Cassette)

AB71S2SG1FA



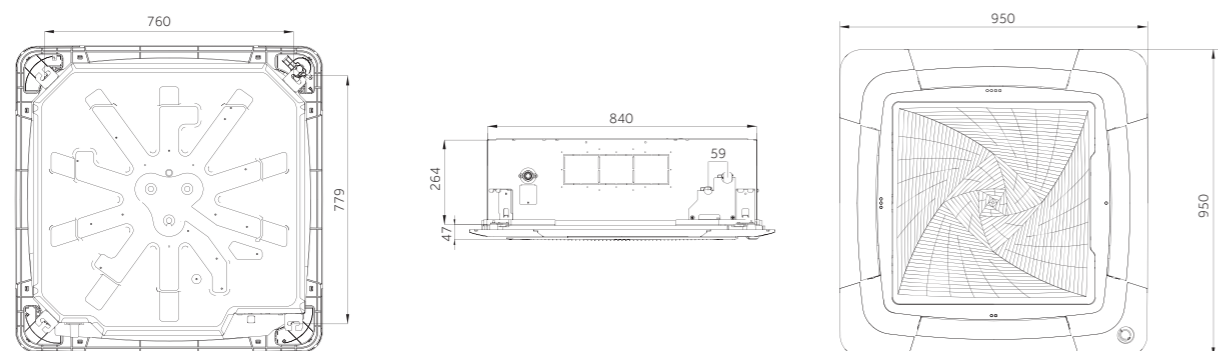
Cassette Type

AB12CS1ERA(S)/AB18CS1ERA(S)/AB12CS2ERA(S)/AB18CS2ERA(S)



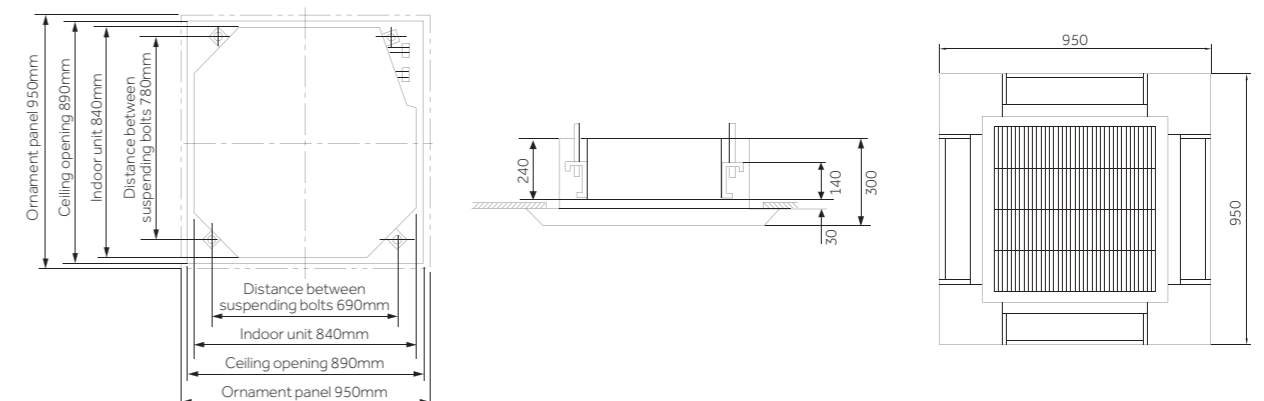
Cassette Type (Round Way Cassette)

ABH090H1ERG/ABH105H1ERG



Cassette Type

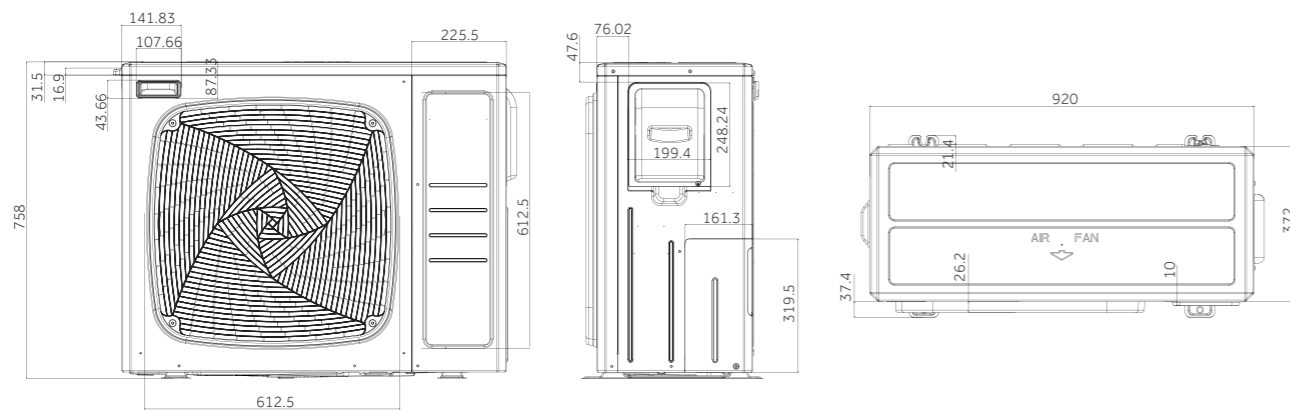
AB24ES1ERA(S)/AB28ES1ERA(S)



Outdoor Platform(R32)

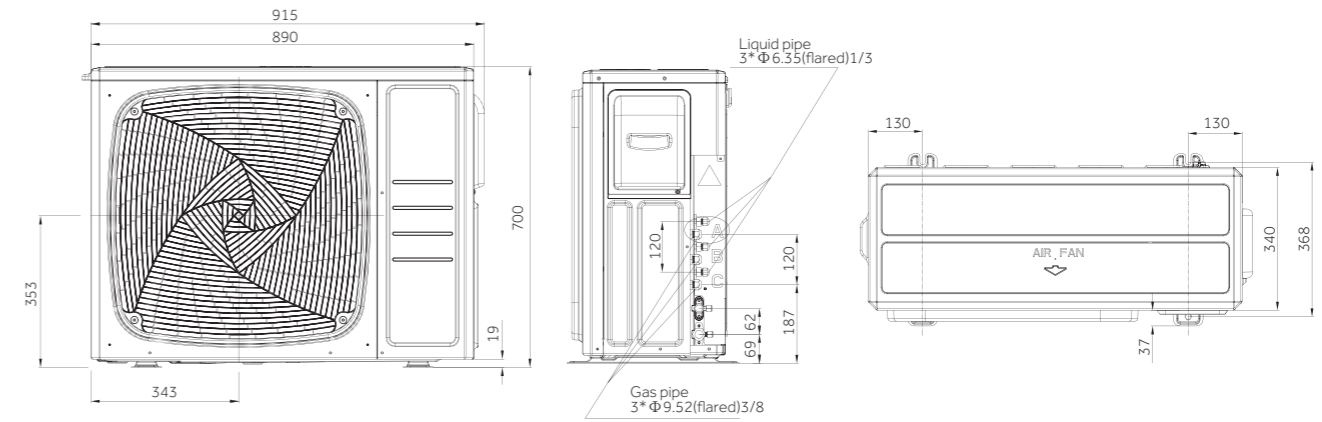
Single Split

1U105S2SS1FA/1U105S2SS1FB



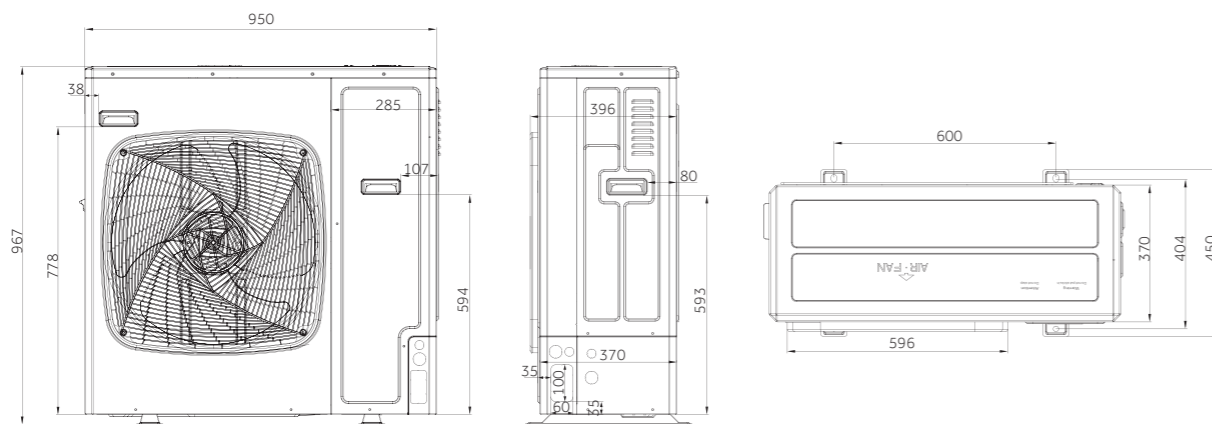
Multi Split

3U55S2SR3FA/3U70S2SR3FA



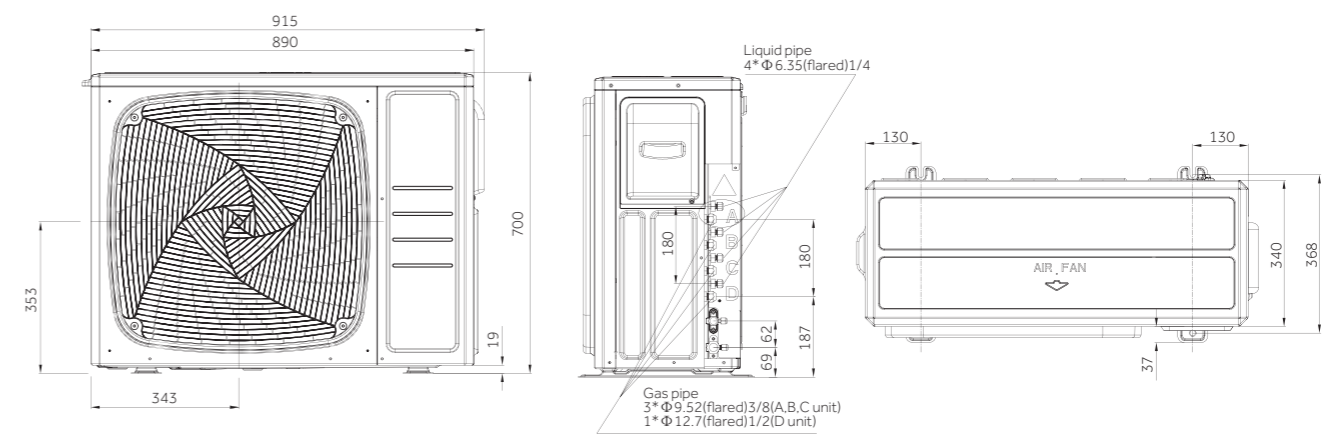
Single Split

1U125S2SN2FA/1U125S2SN2FB/1U140S2SN1FA/1U140S2SN1FB



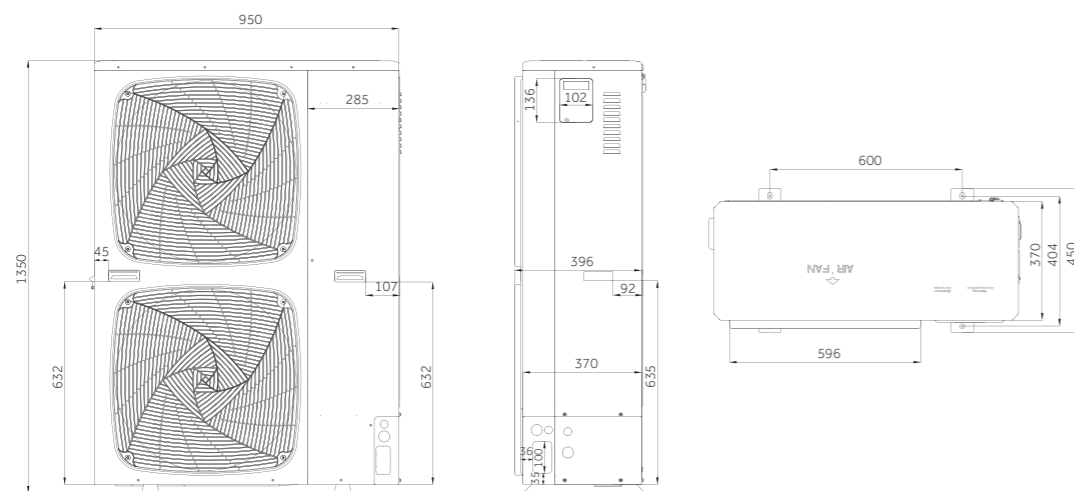
Multi Split

4U75S2SR3FA/4U85S2SR3FA



Single Split

1U140S2SP2FA/1U140S2SP2FB/1U160S2SP1FB



Multi Split

5U90S2SS3FA/5U105S2SS3FA

